

# Electronic housing - ME 17,5 UT TBUS GN - 2709516

Please be informed that the data shown in this PDF Document is generated from our Online Catalog. Please find the complete data in the user's documentation. Our General Terms of Use for Downloads are valid (<http://download.phoenixcontact.com>)



Lower part of housing, 17.5 mm wide, housing open, fully assembled, without bus connector

## Product Features

- Gold contacts for data transmission and power supply (125 V, 8 A)
- When a device is unplugged from the system as a whole, the signal chain is not interrupted# Supply via standard MINI COMBICON plug
- ME...TBUS connector with 5 parallel contacts can be snapped onto DIN rails to save space

## Key commercial data

<b>package_quantity</b>	10
<b>GTIN</b>	4017918902193

## classifications

### eCl@ss

<b>eCl@ss 4.0</b>	27180401
<b>eCl@ss 4.1</b>	27180401
<b>eCl@ss 5.0</b>	27180506
<b>eCl@ss 5.1</b>	27180506
<b>eCl@ss 6.0</b>	27180802
<b>eCl@ss 7.0</b>	27182702
<b>eCl@ss 8.0</b>	27182702

### ETIM

<b>ETIM 2.0</b>	EC001031
<b>ETIM 3.0</b>	EC001031
<b>ETIM 4.0</b>	EC001031
<b>ETIM 5.0</b>	EC001031

### UNSPSC

<b>UNSPSC 6.01</b>	31261501
<b>UNSPSC 7.0901</b>	31261501
<b>UNSPSC 11</b>	31261501
<b>UNSPSC 12.01</b>	31261501
<b>UNSPSC 13.2</b>	31261501

# Electronic housing - ME 17,5 UT TBUS GN - 2709516

## approvals

---

UL Recognized /

---

### Approval details

UL Recognized 

## accessories

### Coding element

CR-MSTB - 1734401



CP-MSTB - 1734634



### Mounting material

ME-SAS - 2853899



### Filler plug

# Electronic housing - ME 17,5 UT TBUS GN - 2709516

accessories

ME B-17,5 MSTBO GN - 2906869

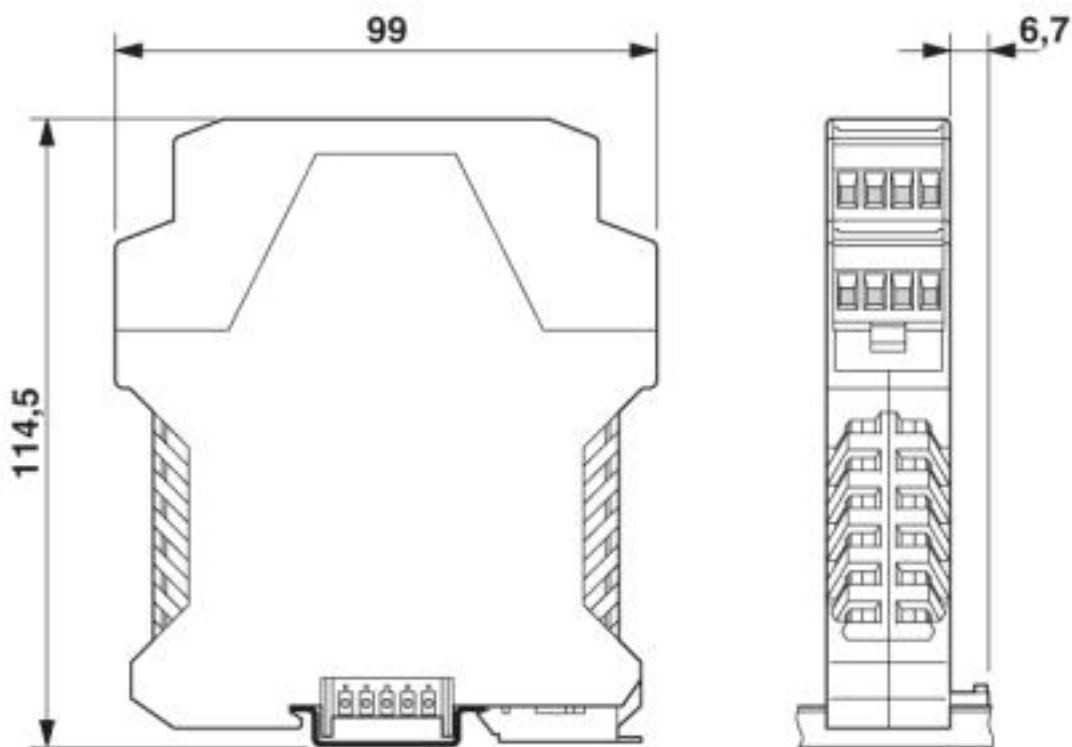


ME B-17,5 MKDSO GN - 2906885



## Drawings

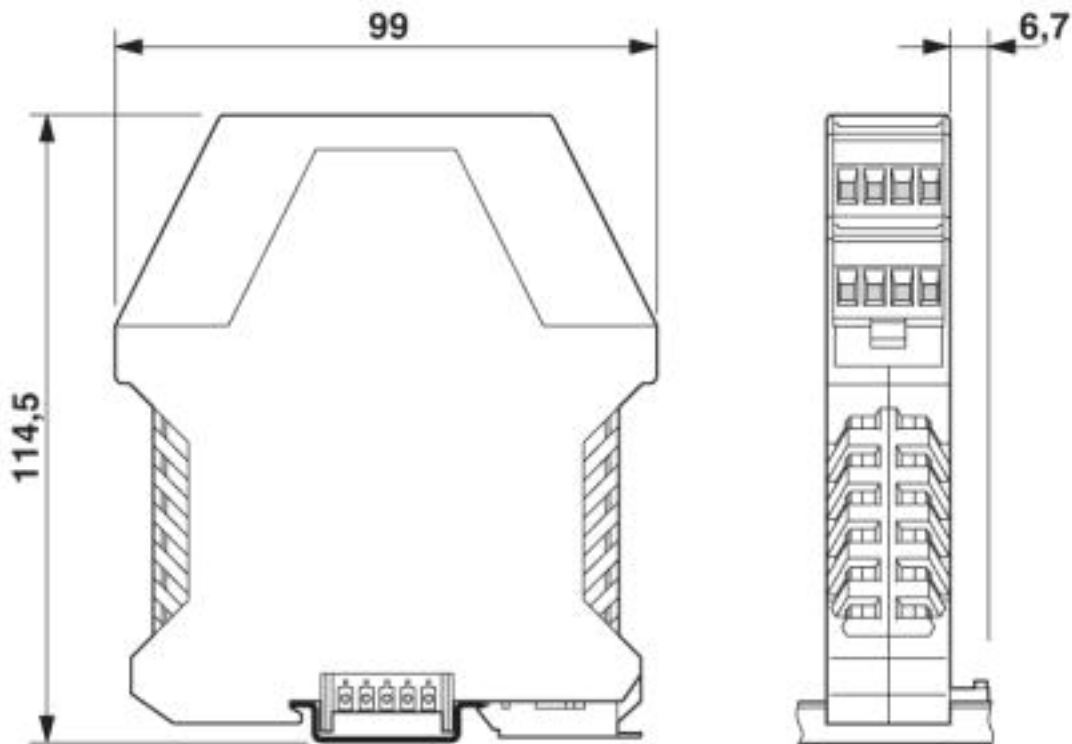
Dimensioned drawing



Dimensions of the electronic housing ME...TBUS... with double-level upper part

## Electronic housing - ME 17,5 UT TBUS GN - 2709516

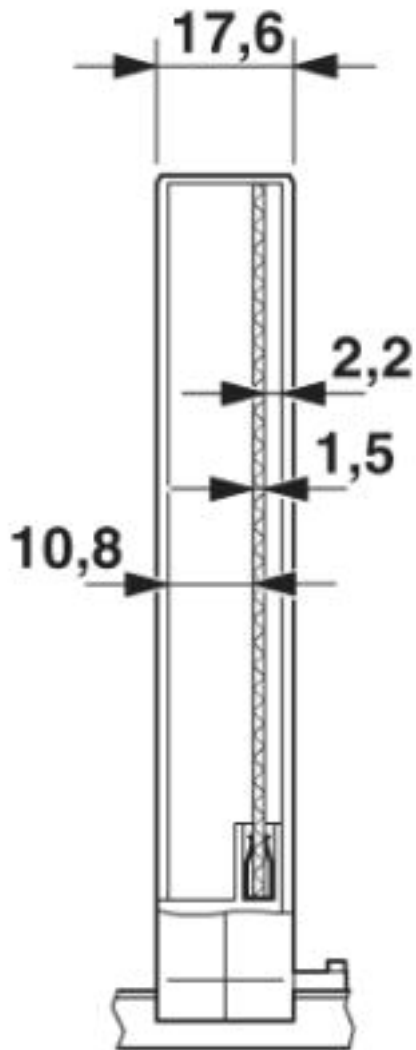
Dimensioned drawing



Dimensions of the electronic housing ME...TBUS... with double-level upper part

# Electronic housing - ME 17,5 UT TBUS GN - 2709516

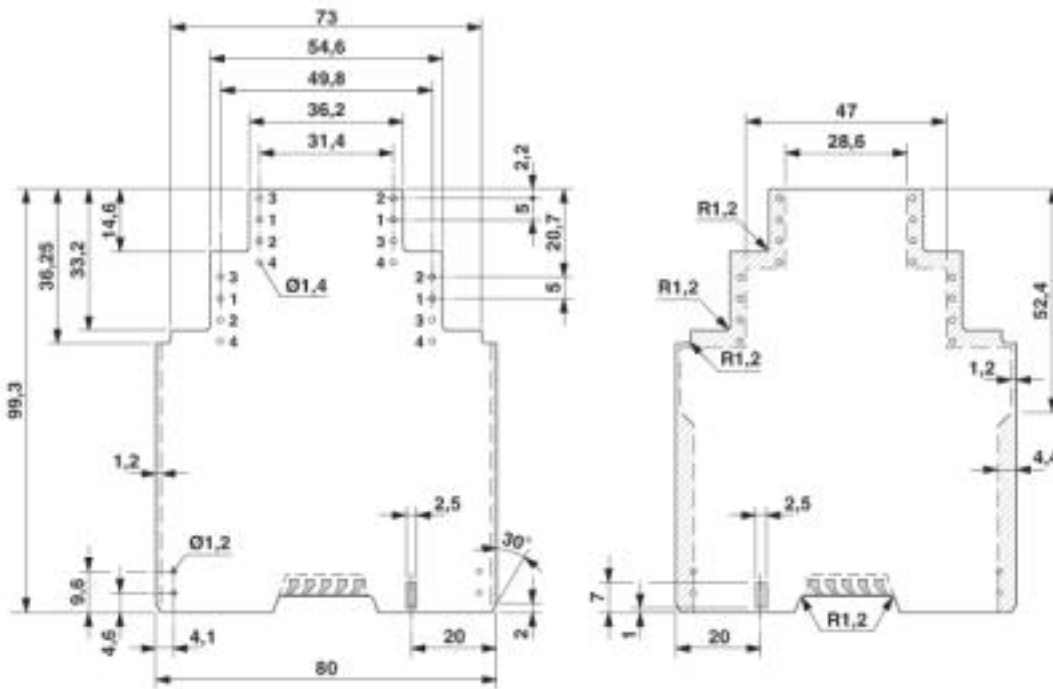
Dimensioned drawing



Internal housing dimensions, electronics housing ME 17,5 TBUS...

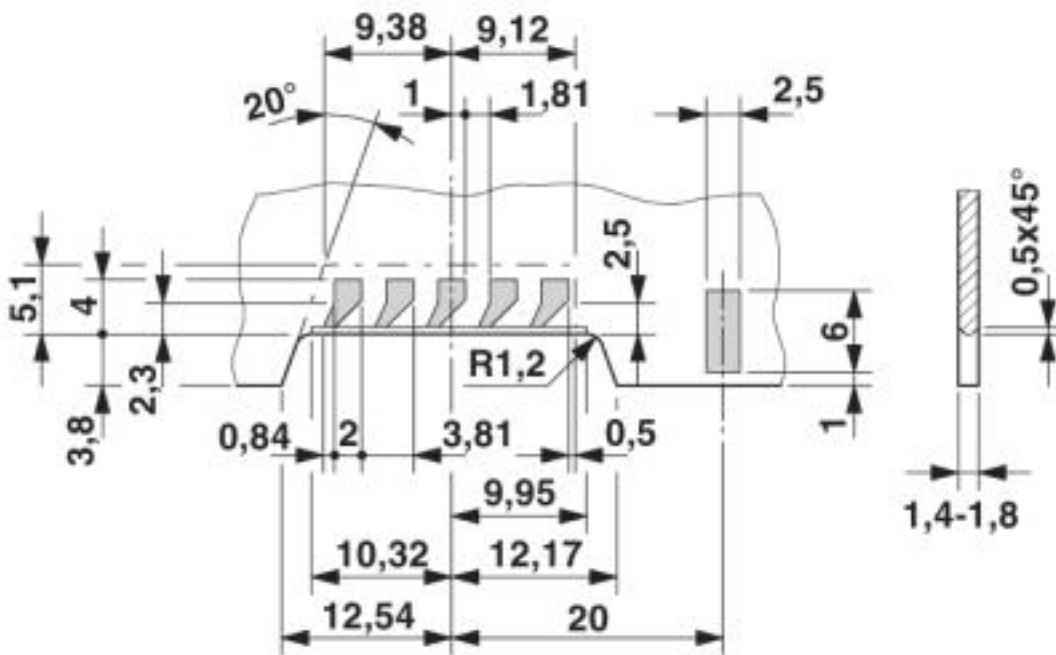
# Electronic housing - ME 17,5 UT TBUS GN - 2709516

Dimensioned drawing



Dimensional drawing of the ME.../TBUS printed circuit board if the double level upper part is used

Dimensioned drawing



Detailed dimensional drawing of the DIN rail connector contact pads

