



■ Single Channel SSRs



■ Dual Channel SSRs

# ***crydom***<sup>®</sup>

SeriesOne DR

THE GLOBAL EXPERT  
IN **SOLID STATE RELAY**  
TECHNOLOGY





## ABOUT US

Crydom, a company of Custom Sensors & Technologies (CST) and **global expert in Solid State Relay Technology**, has a distinguished record of providing high quality, world class Solid State Relay and Control Products for a variety of heating, lighting and motion control applications. Crydom products, coupled with **unparalleled technical support, timely delivery and competitive pricing**, provide Crydom's clients with the innovative products and support necessary to succeed in today's competitive and fast paced global markets.

Crydom's extensive selection of standard off-the-shelf products is constantly being updated and expanded through its continuous improvement and aggressive new product development programs. Utilizing state of the art designs, materials and technology, Crydom offers a wide range of AC and DC output SSRs in industry standard Panel Mount, PCB Mount and DIN Rail packages, all **meeting global safety and standards agency requirements** such as CE, RoHS, UL, IEC, etc.

Bolstered by four decades of Solid State Relay operations experience, Crydom also specializes and encourages **adapted and fully custom-designed SSR products** for nearly any application where unique specifications and optimized performance are critical for success.

Crydom's modern purpose-built **100,000 square foot manufacturing facility** houses all aspects of its ISO certified operation including Design and Development Engineering, Manufacturing Operations and Quality Assurance, Customer Service, Finance, Marketing and General Management, permitting close coordination of all aspects of Crydom's activities. Applications Engineering and Sales support are both performed in the field to provide Crydom's Customers with the unparalleled technical and commercial support.

Following rigid design guidelines and standards, Crydom products have set the bench mark for SSR performance and reliability world wide. In addition to **award winning designs**, Crydom has acquired an impressive list of **patents** related to SSRs and Solid State Controls, while continuing to develop new circuit and technology-related inventions as part of **extensive R&D programs**.

To learn more about Crydom SSR technology and products, or how an alliance with Crydom can contribute to the success of your project, visit **www.crydom.com** or contact your authorized Crydom Distributor or Crydom Customer Service Representative today.

## DIN RAIL MOUNTED AC & DC OUTPUT SOLID STATE RELAYS



### ■ **SeriesOne DR Single & Dual Channel SSRs**

Crydom's **SeriesOne DR** Solid State Relays incorporate proprietary thermal management technology resulting in exceptional output ratings of 6 and 12 amps at 40 °C ambient in compact 11 and 18 mm wide DIN rail mounted housings. Ideally suited for heating, lighting or motion control applications where DIN rail space may be limited, the unique design provides both greater power density than previously available in DIN rail mounted Solid State Relays, and greater safety for personnel by eliminating exposed hot metal surfaces typical of SSRs utilizing external heat sinks to attain comparable ratings.

**SeriesOne DR** SSRs feature all solid state design with optical coupling, AC or DC inputs with LED input status indicator, mounting to standard 35 mm DIN rail, RoHS compliance, CE certification, and UL/cUL recognition including General Use, Motor Controller and 100k cycle endurance ratings.

### ■ **SeriesOne DR Single Channel Outputs**

**SeriesOne DR** Single Channel output SSRs incorporate either rugged SCRs for heavy AC industrial loads up to 600 VAC, or power FETs for superior performance with DC loads up to 100 VDC. Single channel models are available with output ratings of either 6 Amps at 40 °C in an 11 mm package, or 12 Amps at 40 °C in an 18 mm wide package. AC output models also offer either zero voltage turn-on for resistive loads or random turn-on for inductive loads. Both AC and DC control voltages are available.

### ■ **SeriesOne DR Dual Channel Outputs**

**SeriesOne DR** Dual Channel AC output SSRs also feature SCRs for superior performance. The two independent channels are housed in an 18 mm package with output ratings up to 6 Amps rms per channel at 40 °C, 600 VAC, in zero voltage or random turn-on, and 4 to 32 VDC control voltage.

For more information, technical support or questions about adapted assemblies, contact your local Crydom Distributor or Regional Sales office.



## SeriesOne DR Single Channel AC/DC Output

- 6 & 12 Amps output power rating
- 60 & 100 VDC, 24 to 600 VAC operating voltage ratings
- 4-32 VDC, 24, 120 & 230 VAC control input options available
- IP20 housing with unique integrated heat sink design (Patent Pending)
- AC Output versions with Zero Voltage Turn-On for resistive loads and Random Turn-On for inductive loads
- High power density for multiple units
- UL & cUL approved including General Purpose and Motor Controller ratings
- CE & RoHS compliant

### OUTPUT SPECIFICATIONS (A)

	DR06x06	DR10x06	DR24x06	DR48x06	DR06x12	DR10x12	DR24x12	DR48x12
Operating Voltage (47-63Hz AC Only)	1-60 VDC	1-100 VDC	24-280 VAC	48-600 VAC	1-60 VDC	1-100 VDC	24-280 VAC	48-600 VAC
General Use Current Rating (B) (Resistive Load)	6 ADC	6 ADC	6 Arms	6 Arms	12 ADC	12 ADC	12 Arms	12 Arms
UL Motor Controller Ratings @ 240 VAC [HP]	N/A	N/A	1/6	1/6	N/A	N/A	1/3	1/3
Min. Load Current	2.5 mA DC	2.5 mA DC	0.15 Arms	0.15 Arms	2.5 mA DC	2.5 mA DC	0.15 Arms	0.15 Arms
Max. Off-State Leakage Current @ Rated Voltage	0.1 mA DC	0.1 mA DC	0.1 mArms	0.1 mArms	0.1 mA DC	0.1 mA DC	0.1 mArms	0.2 mArms
Max. Surge Current [Apk] (Duration in ms)	60 (10)	60 (10)	300 (16.6)	300 (16.6)	100 (10)	100 (10)	750 (16.6)	750 (16.6)
Max. Surge Current [Apk] (Duration in ms)	N/A	N/A	285 (20)	285 (20)	N/A	N/A	715 (20)	715 (20)
Transient Overvoltage [Vpk]	N/A	N/A	600	1200	N/A	N/A	600	1200
Max. On-State Voltage Drop @ Rated Current [Vpk]	0.6	0.6	1.3	1.3	0.5	0.5	1.3	1.3
On-State Resistance at rated load current [Ohm]	0.1	0.1	N/A	N/A	0.1	0.1	N/A	N/A
Max. I <sup>2</sup> t for Fusing (10/8.3 ms) [A <sup>2</sup> sec]	N/A	N/A	410/375	410/375	N/A	N/A	2560/2330	2560/2330
Min. Off-State dv/dt @ Max. Rated Voltage [V/μsec] (C)	N/A	N/A	500	500	N/A	N/A	500	500
Maximum Turn-On Time (D)	600 (μsec)	600 (μsec)	1/2 cycle	1/2 cycle	1 (msec)	1 (msec)	1/2 cycle	1/2 cycle
Maximum Turn-Off Time (E)	300 (μsec)	300 (μsec)	1/2 cycle	1/2 cycle	300 (μsec)	300 (μsec)	1/2 cycle	1/2 cycle
Power Factor (Minimum) with Maximum Load	N/A	N/A	0.5	0.5	N/A	N/A	0.5	0.5

### INPUT SPECIFICATIONS (A)

	DRxxD06	DRxxE06	DRxxB06	DRxxA06	DRxxD12	DRxxE12	DRxxB12	DRxxA12
Control Voltage Range	4-32 VDC	18-36 VAC	90-140 VAC	200-265 VAC	4-32 VDC	18-36 VAC	90-140 VAC	200-265 VAC
Minimum Turn-On Voltage	4 VDC	18 VAC	90 VAC	200 VAC	4 VDC	18 VAC	90 VAC	200 VAC
Minimum Turn-Off Voltage	1 VDC	4 VAC	10 VAC	90 VAC	1 VDC	4 VAC	10 VAC	90 VAC
Reverse Polarity Protection	Yes	N/A	N/A	N/A	Yes	N/A	N/A	N/A
Typical Input Current	10 mA @ 24 VDC (F)	6 mA @ 24 VAC	5 mA @ 120 VAC	3 mA @ 230 VAC	10 mA @ 24 VDC (F)	6 mA @ 24 VAC	5 mA @ 120 VAC	3 mA @ 230 VAC

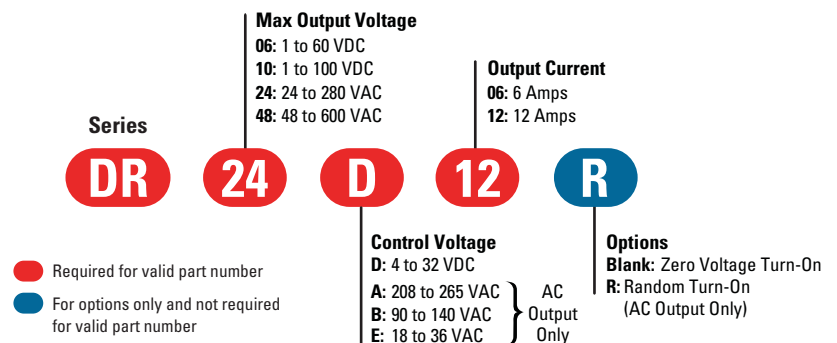
### GENERAL SPECIFICATIONS (A)

	DRxx06	DRxxx12
Dielectric Strength, Input to Output. AC Output Versions (50/60Hz) [Vrms]	4000	
Dielectric Strength, Input to Output. DC Output Versions [Vrms]	2500	
Dielectric Strength, Input-Output to Case (50/60Hz) [Vrms]	2500	
Minimum Insulation Resistance (@ 500 VDC) [Ohm]	10 <sup>9</sup>	
Maximum Capacitance, Input/Output [pF]	10	
Ambient Operating Temperature Range [°C]	-30 to 80	
Ambient Storage Temperature Range [°C]	-30 to 125	
Weight (typical) [oz] (gr)	1.76 (50)	3.17 (90)
Housing Material	UL 94 V0 Self-extinguishing	
Input Terminal Wire Capacity	22 AWG minimum, 16 AWG maximum	
Output Terminal Wire Capacity	22 AWG minimum, 14 AWG x 2 or 12 AWG x 1 (standed/solid) maximum	
Maximum Recommended Terminal Screw Torque Input/Output [in/lbs] (Nm)	4.4 (0.5) / 7.0 (0.8)	

### GENERAL NOTES

- (A) All parameters at 25°C unless otherwise specified.  
 (B) Minimum spacing required between devices (see derating curves).  
 (C) Off-State dv/dt test method per EIA/NARM standard RS-443, paragraph 13.11.1.  
 (D) Turn-On time for Random-type AC Output is 0.1 ms for DC Control Models and 20 ms for AC Control Models.  
 (E) Turn-Off time for AC output versions with AC control is 30 ms.  
 (F) Input circuit incorporates active current limitation.  
 (G) Not all combinations of ratings are available.

### Part Number Nomenclature (G)

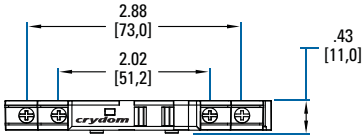


## Mechanical Dimensions

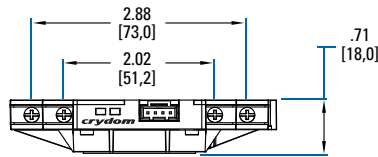
Tolerances: ± 0.02 in / 0.5 mm  
All dimensions are in: inches [millimeters]

### FRONT VIEW

For DRxxx06

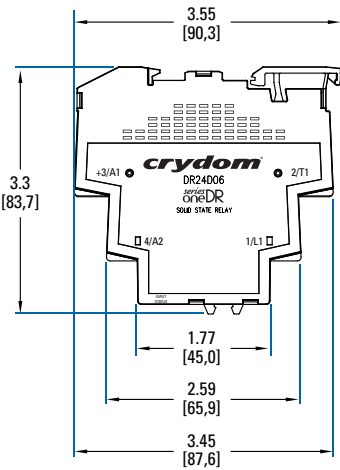


For DRxxx12 or DRDxxD06 versions <sup>(H)</sup>

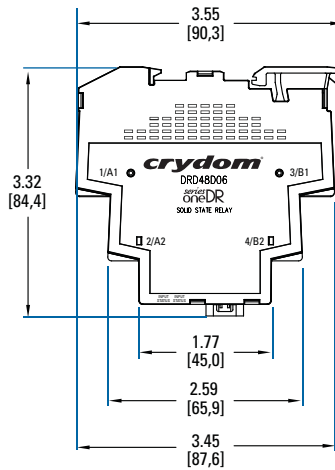


### SIDE VIEW

For DRxxx06 or DRxxx12 versions

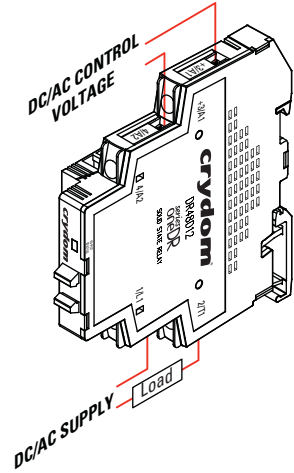


For DRDxxD06 versions

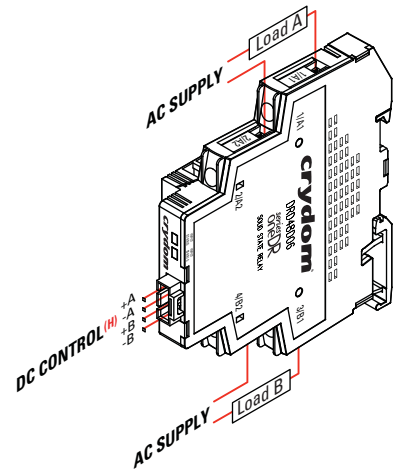


## Wiring Diagrams <sup>(J)</sup>

For DRxxx06 or DRxxx12 versions

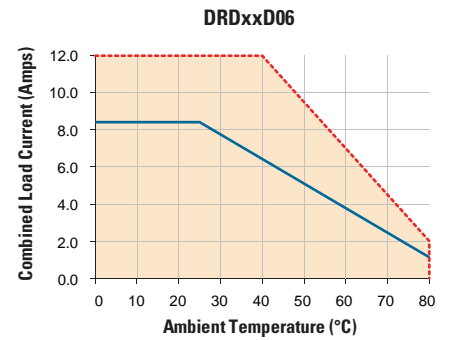
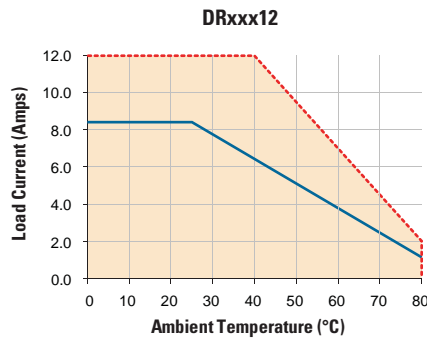
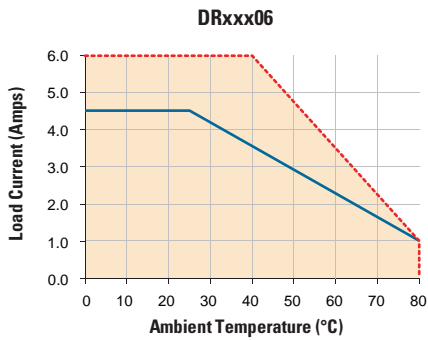


For DRDxxD06 versions



<sup>(H)</sup> 4 Pin connector for dual channel output only. Matting connector: MOLEX 050579404 or equivalent.  
<sup>(J)</sup> No grounding wire required. DC inductive loads must be diode suppressed.

## Derating Curves



--- Installed Single Unit  
— Multiple Units (No Spacing)

Questions? Call or e-mail

Americas +1 (877) 502 5500 [sales@crydom.com](mailto:sales@crydom.com)  
Europe +44 (0) 1202 606030 [sales-europe@crydom.com](mailto:sales-europe@crydom.com)



## SeriesOne DR Dual Channel AC Output

- Two independent 6 Amp channels
- DIN rail mount 18 mm wide package
- 4-32 VDC control input
- 24 to 600 VAC operating voltage ratings
- IP20 housing with unique integrated heat sink design (Patent Pending)
- AC Output versions with Zero Voltage Turn-On for resistive loads and Random Turn-On for inductive loads
- High power density for multiple units
- UL & cUL approved including General Purpose and Motor Controller ratings
- CE & RoHS compliant

### OUTPUT SPECIFICATIONS (A)

	DRD24D06	DRD48D06
Operating Voltage (47-63Hz) [VAC]	24-280	48-600
General Use Current Rating (B) (Resistive Load)	6 Arms per channel	6 Arms per channel
UL Motor Controller Ratings @ 240 VAC [HP]	1/6	1/6
Minimum Load Current [Arms]	0.15	0.15
Maximum Off-State Leakage Current @ Rated Voltage [mArms]	0.1	0.2
Maximum Surge Current [Apk] @ 60 Hz (Duration in ms)	750 (16.6)	750 (16.6)
Maximum Surge Current [Apk] @ 50 Hz (Duration in ms)	715 (20)	715 (20)
Transient Overvoltage [Vpk]	600	1200
Maximum On-State Voltage Drop @ Rated Current [Vpk]	1.3	1.3
Maximum I <sup>2</sup> t for Fusing (10/8.3 ms) [A <sup>2</sup> sec]	2560/2330	2560/2330
Minimum Off-State dv/dt @ Maximum Rated Voltage [V/μsec] (C)	500	500
Maximum Turn-On Time (D)	1/2 cycle	1/2 cycle
Maximum Turn-Off Time	1/2 cycle	1/2 cycle
Power Factor (Minimum) with Maximum Load	0.5	0.5

### INPUT SPECIFICATIONS (A)

	DRDxxD06
Control Voltage Range [VDC]	4-32
Min. Turn-On Voltage [VDC]	4
Min. Turn-Off Voltage [VDC]	1
Reverse Polarity Protection	Yes
Typical Input Current	10 mA @ 24 VDC (F)

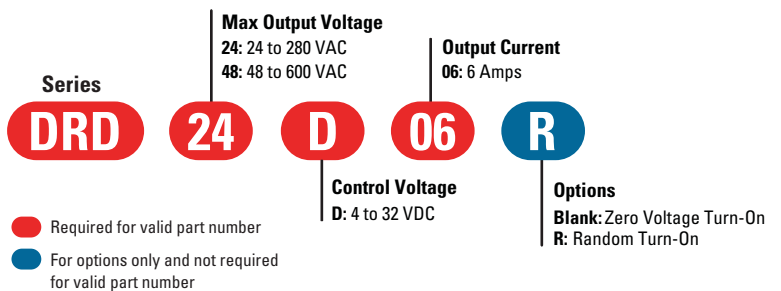
### GENERAL SPECIFICATIONS (A)

	DRDxxD06
Dielectric Strength, Input to Output (50/60Hz) [Vrms]	2500
Dielectric Strength, Input-Output to Case (50/60Hz) [Vrms]	2500
Minimum Insulation Resistance (@ 500 VDC) [Ohm]	10 <sup>9</sup>
Maximum Capacitance, Input/Output [pF]	10
Ambient Operating Temperature Range [°C]	-30 to 80
Ambient Storage Temperature Range [°C]	-30 to 125
Weight (typical) [oz] (gr)	3.17 (90)
Housing Material	UL 94 V0 Self-extinguishing
Input Terminal Wire Capacity	22 AWG minimum, 16 AWG maximum
Output Terminal Wire Capacity	22 AWG minimum, 14 AWG x 2 or 12AWG x1 (standed/solid) maximum
Maximum Recommended Terminal Screw Torque Input/Output [in/lbs] (Nm)	4.4 (0.5) / 7.0 (0.8)

### GENERAL NOTES

- (A) All parameters at 25°C unless otherwise specified.  
 (B) Minimum spacing required between devices (see derating curves).  
 (C) Off-State dv/dt test method per EIA/NARM standard RS-443, paragraph 13.11.1.  
 (D) Turn-On time is 0.1 ms for Random-type DC Control Models.  
 (F) Input circuit incorporates active current limitation.

### Part Number Nomenclature



### ID Marker Strips

#### CNLB, CNLN, CNL2

Packages of 10 plastic strips comprising 10 individual markers which can be placed for easy identification during the use of multiple units.



#### Blank Strips

Part no.: CNLB



#### Numbered 1 to 10 Strips

Part no.: CNLN



#### Numbered 11 to 20 Strips

Part no.: CNL2

# crydom®

**crydom®**  
Across the Globe



## AMERICAS

### USA & CANADA

**Crydom Inc**  
2320 Paseo de las Americas,  
Suite 201  
San Diego CA 92154

#### Sales Support

Tel.: +1 (877) 502 5500  
Fax: +1 (619) 210 1590  
sales@crydom.com

#### Tech Support

Tel.: +1 (877) 702 7700  
support@crydom.com

### MEXICO

**Automatismo Crouzet  
S.A. de C.V.**

Calzada Zavaleta 2505 - C  
Col Sta Cruz Buenavista  
C.P. 72150 - Puebla  
MEXICO  
Tel.: +52 (222) 409 7000  
Fax: +52 (222) 409 7810  
01 800 087 6333  
sales-mx@crydom.com

## SOUTHERN AND CENTRAL AMERICAN COUNTRIES

### CST Latinoamerica

Alameda Rio Negro, 1.084-cj.A31  
Centro Empresarial de Alphaville  
CEP: 06454-000  
Barueri - SP  
BRASIL  
Tel.: +55 (11) 4191 9797  
Fax: +55 (11) 4191 9136  
info@cst-latinoamerica.com

## EUROPE MIDDLE EAST AFRICA

### UNITED KINGDOM

**Crydom SSR Ltd**  
Arena Business Centre  
Holyrood, Close  
Poole, Dorset BH17 7FJ

#### Sales Support

Tel.: +44 (0) 1202 606030  
Fax: +44 (0) 1202 606035  
sales-europe@crydom.com

#### Tech Support

tech-europe@crydom.com

### AUSTRIA & SWITZERLAND

Tel.: +44 (0) 1202 606030  
Fax: +44 (0) 1202 606035  
vertrieb@crydom.com

### GERMANY

Tel.: +49 (0) 180 3000 506  
Fax: +49 (0) 180 3205 227  
vertrieb@crydom.com

### BELGIUM

Tel.: +32 (0) 2 460 4413  
Fax: +32 (0) 2 461 2614  
sales-europe@crydom.com

### FRANCE

Tel.: +33 (0) 810 123 963  
Fax: +33 (0) 810 057 605  
sales-europe@crydom.com

### ITALY

Tel.: +39 (0) 2 665 99 260  
Fax: +39 (0) 2 665 99 268  
sales-europe@crydom.com

### THE NETHERLANDS

Tel.: +31 (0) 71 582 0068  
Fax: +31 (0) 71 542 1648  
sales-europe@crydom.com

### SPAIN

Tel.: +34 902 876 217  
Fax: +34 902 876 219  
sales-europe@crydom.com

## MIDDLE EAST, AFRICA AND OTHER EUROPEAN COUNTRIES

Tel.: +44 (0) 1202 606030  
Fax: +44 (0) 1202 606035  
sales-europe@crydom.com

## ASIA PACIFIC

### CHINA & HONG KONG

**Custom Sensors &  
Technologies Asia  
(Shanghai) Ltd.**

2 Floor, Innovation Building,  
No.1009, Yi Shan Road,  
Shanghai, 200233  
Tel.: +86 (21) 2401 7766  
Fax: +86 (21) 6249 0701  
sales-cn@crydom.com

### TAIWAN

**Custom Sensors &  
Technologies**

3F, No. 39, Ji-Hu Road  
Nei-Hu Dist.  
Taipei 114, Taiwan  
Tel.: +886 2 8751 6388  
Fax: +886 2 2657 8725  
taiwan@cstsensors.com

### SOUTH KOREA

**Custom Sensors &  
Technologies**

5F, Jeil Bldg.,  
94-46 Youngdeungpo-dong 7-ga  
Youngdeungpo-gu,  
Seoul, 150-037  
South Korea  
Tel.: +82 2 2629 8312  
Fax: +82 2 2629 8310  
korea@cstsensors.com

### INDIA

**CST Sensors India Pvt Ltd**

Unit 1301 and 1302 Prestige  
Meridian II  
30 M.G.Road,  
Bangalore - 560001  
INDIA  
Tel.: +91 (80) 4113 2204/05  
Fax: +91 (80) 4113 2206  
india@cstsensors.com

## OTHER ASIAN AND PACIFIC COUNTRIES

**Custom Sensors &  
Technologies**

3F, No. 39, Ji-Hu Road  
Nei-Hu Dist.  
Taipei 114, Taiwan  
Tel.: +886 2 8751 6388  
Fax: +886 2 2657 8725  
eap@cstsensors.com

CAT/CR/SO/EN

Distributed by :

A brand of  
**CST**  
CUSTOM SENSORS & TECHNOLOGIES

© 2010 Crydom Inc., All Rights Reserved.

Specifications are subject to change without prior notice.  
Crydom and the Crydom logo are registered trademarks  
of Crydom Inc.