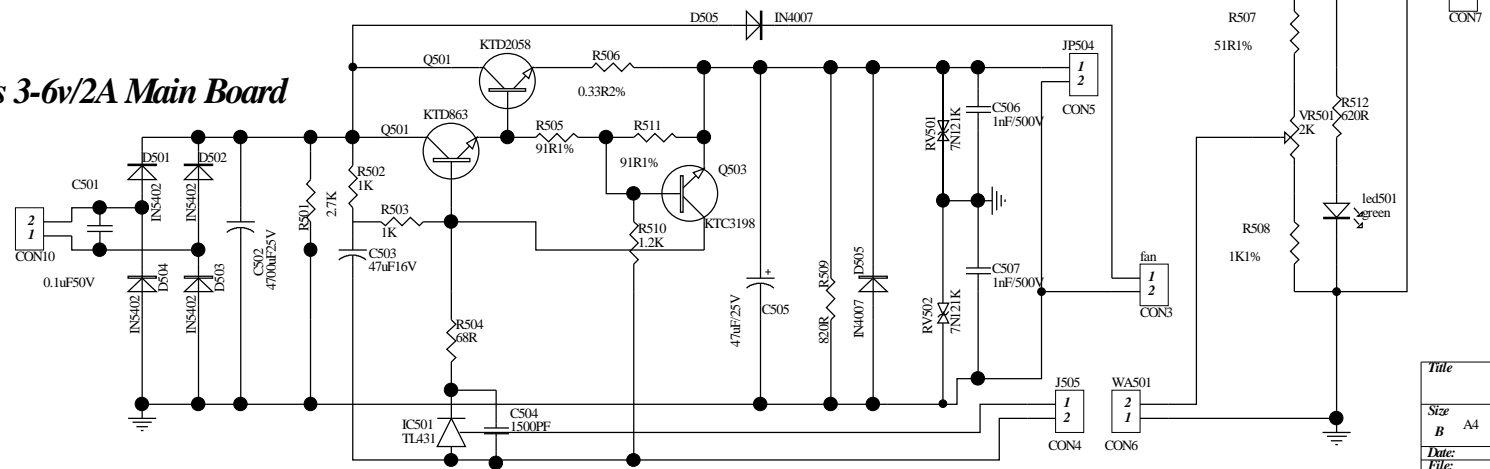


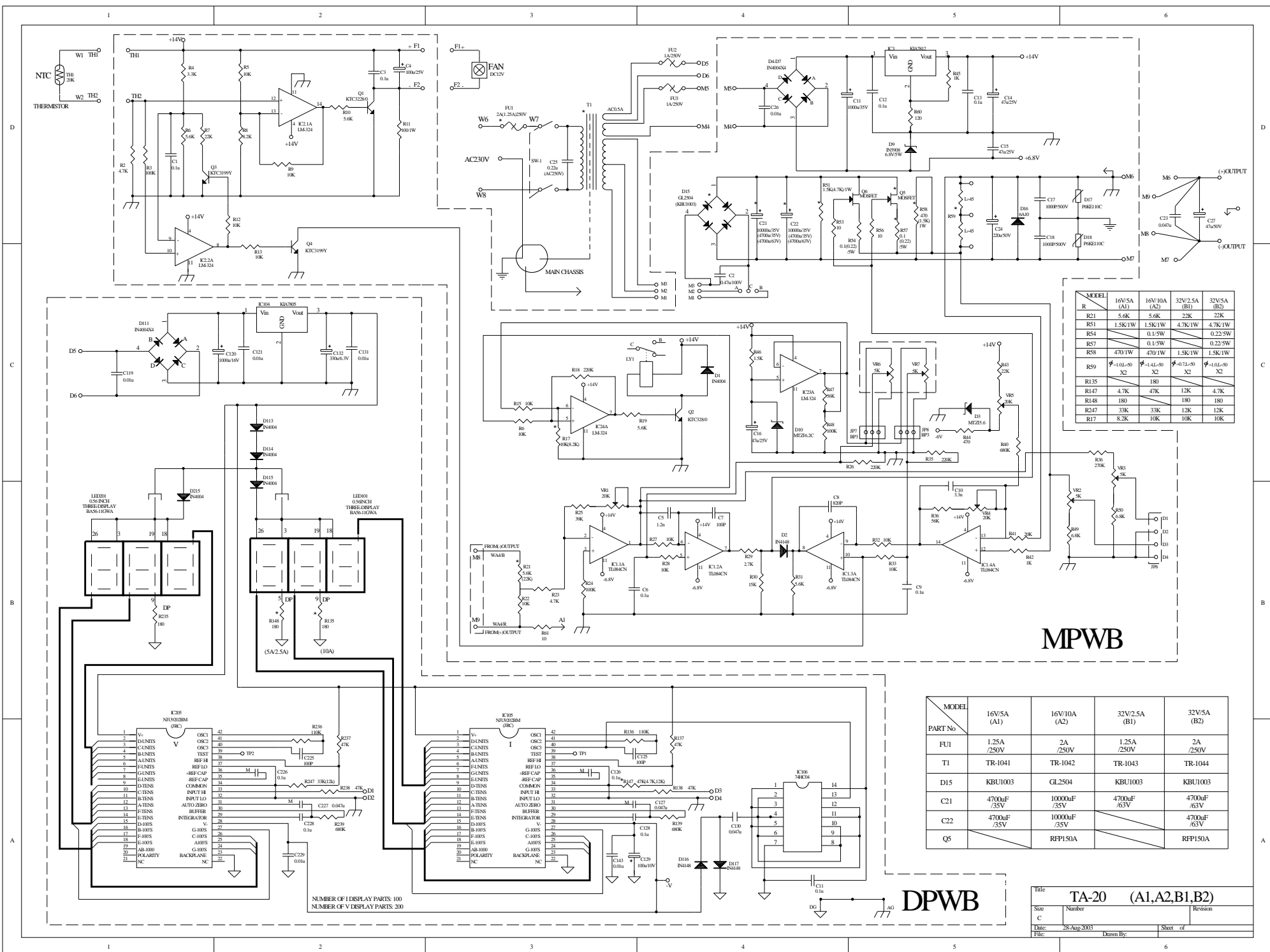
Ps 3-6v/2A Main Board

Ps 3-6v/2A Adjust Board



35320151_VP_01
35320152_VP_01

| Title | | |
|-------|-------------|-----------|
| Size | A4 | Number |
| Date: | 12-Mar-2004 | Revision |
| File: | | Sheet of |
| | | Drawn By: |



| MODEL | 16V/5A (A1) | 16V/10A (A2) | 32V/2.5A (B1) | 32V/5A (B2) |
|-------|--------------|--------------|---------------|--------------|
| R21 | 5.6K | 5.6K | 22K | 22K |
| R51 | 1.5K/1W | 1.5K/1W | 4.7K/1W | 4.7K/1W |
| R54 | 0.15W | 0.15W | 0.225W | 0.225W |
| R57 | 0.15W | 0.15W | 0.15W | 0.15W |
| R58 | 470/1W | 470/1W | 1.5K/1W | 1.5K/1W |
| R59 | φ-1.0L-90 X2 | φ-1.4L-90 X2 | φ-0.7L-90 X2 | φ-1.0L-90 X2 |
| R125 | 180 | 180 | 12K | 4.7K |
| R147 | 4.7K | 47K | 12K | 4.7K |
| R148 | 180 | 180 | 180 | 180 |
| R247 | 33K | 33K | 12K | 12K |
| R17 | 8.2K | 10K | 10K | 10K |

MPWB

| MODEL | 16V/5A (A1) | 16V/10A (A2) | 32V/2.5A (B1) | 32V/5A (B2) |
|---------|-------------|--------------|---------------|-------------|
| PART No | | | | |
| FU1 | 1.25A /250V | 2A /250V | 1.25A /250V | 2A /250V |
| T1 | TR-1041 | TR-1042 | TR-1043 | TR-1044 |
| D15 | KBU1003 | GL2504 | KBU1003 | KBU1003 |
| C21 | 4700µF /35V | 10000µF /35V | 4700µF /63V | 4700µF /63V |
| C22 | 4700µF /35V | 10000µF /35V | 4700µF /63V | 4700µF /63V |
| Q5 | | RFP150A | | RFP150A |

NUMBER OF 1 DISPLAY PARTS: 100
NUMBER OF V DISPLAY PARTS: 200

DPWB

| | | | |
|----------------------------|-----------|-----------|--|
| Title: TA-20 (A1,A2,B1,B2) | | | |
| Size: C | Number: | Revision: | |
| Date: 28-Aug-2003 | Drawn By: | Sheet of: | |
| File: | | | |