

SYS1308

Plug-in

15~24W

Country of Origin : China
 Operating Temperature : 0 ~ 40° C
 Dimensions : 75 x 34 x 43 mm
 Efficiency Level : IV / V
 Approvals / Marks :



Features:

Available as European or US model

Wide range 100~240VAC / 47~63Hz

Output DC plug: 5.5 x 2.1 x 11mm or customer requirement

Overload, Over Voltage & Short Circuit protection

1 year warranty

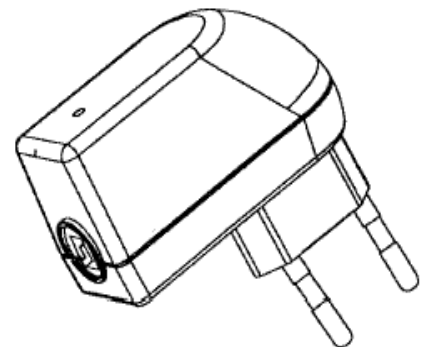
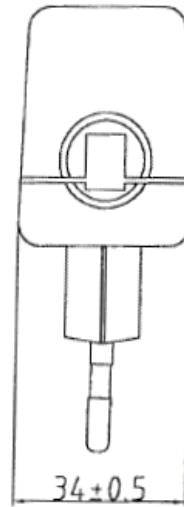
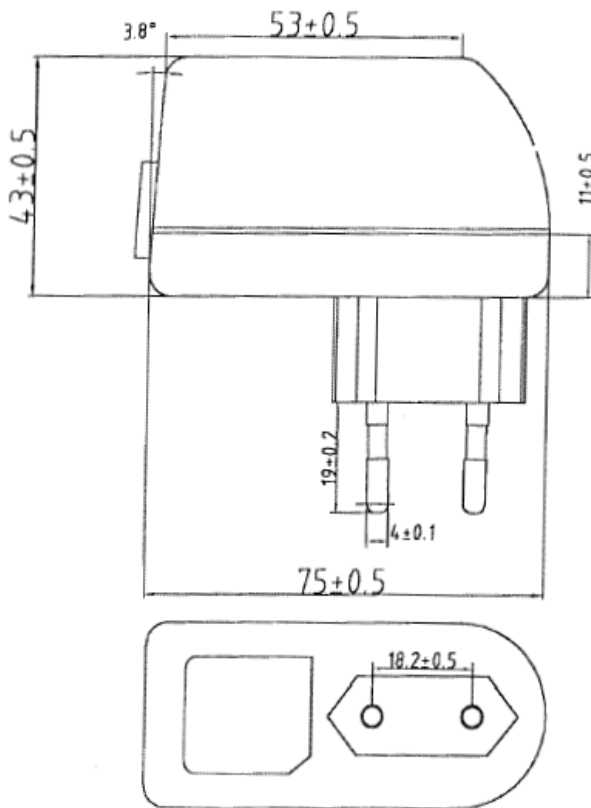
Specification:

		OUTPUT								
	MODEL	Voltage	min. Load	max. Load	Tolerance	Ripple & N.	OCP	OVP	CEC	Max. Power
OUTPUT	SYS1308-1505	5V	0A	3A	±5%	80mV	3.5~6A	6 ~ 8V	IV	15W
	SYS1308-1506	6V	0A	2.5A	±5%	80mV	3~5.5A	8~10V	IV	15W
	SYS1308-1808	7.5V	0A	2.4A	±5%	100mV	3~5.5A	9~11V	IV	18W
	SYS1308-1809	9V	0A	2A	±5%	100mV	2.5~4.5A	11~14V	IV	18W
	SYS1308-2412	12V	0A	2A	±5%	120mV	3~5.5A	14~16V	V	24W
	SYS1308-2415	15V	0A	1.6A	±5%	120mV	2 ~ 4A	17~19V	IV	24W
	SYS1308-2418	18V	0A	1.33A	±5%	120mV	2 ~ 4A	20~22V	IV	24W
	SYS1308-2424	24V	0A	1A	±5%	240mV	1.5~4.5A	26~28V	V	24W
INPUT	Voltage	100 ~ 240VAC								
	Frequency	47 ~ 63Hz								
	Current	1A @ 230VAC								
	Leakage Current	< 0.25mA								
	Surge Current max.	60A @ 230VAC / 40A @ 115VAC @ 25°C ambient								
PROTECTION	Overload	OCP	Fold back							
	Over Voltage	OVP	Voltage limiting							
	Short Circuit	Yes, Output to Ground, Auto recovery after removal of fault								
		Short Current & Over Current can not exceed 8A max. after 1minute at nominal line input								
	No Load Operation	Yes, to protect the power supply and system from damage								
OTHERS	Setup time	7s max. @ AC low line Input and Output full load								
	Holdup time	10ms @ AC nominal Input and Output full load								
	Cooling	Free air convection								
	Withstand Voltage	HI-POT B / I/P-O/P: 3KVAC / 10mA / 1 minute								
	Power Consumption	Max. 0.6W @ AC nominal Input and Output min. load								
	Input Fuse	1A protected against power line surges and any abnormal conditions								
Environment	Vibration	Frequency 5-20-500 / 30 minutes - X,Y,Z axis - 1G								
	Temperature	Operating: 0 ~ 40°C / Storage: -20 ~ 85°C								
Connection	Humidity	Operating: 8% ~ 90% RH / Storage: 5% ~ 95% RH								
	Cable	180cm (6ft.)								
	Output Plug	Standard: 5.5 x 2.1 x 11mm (spring loaded center) or customer requirement								
MTBF	> 35K hours									
SAFETY	CB (IEC 60950:1-2001) / GS (EN 60950-1:2001+A11)									
EMC	EMI	EN55022 Class B / FCC part 15 subpart B Class B / EN61000-3-2(2000) / EN61000-3-3(1995)+A1(2001)								
	EMS	IEC61000-4-2,5,8(2001) / IEC61000-4-3(2002) / IEC61000-4-6(2002)+A1(2003) / IEC61000-4-4,11(2004)								
WEIGHT	N.W.: 143 g									

Specifications subject to change without notice

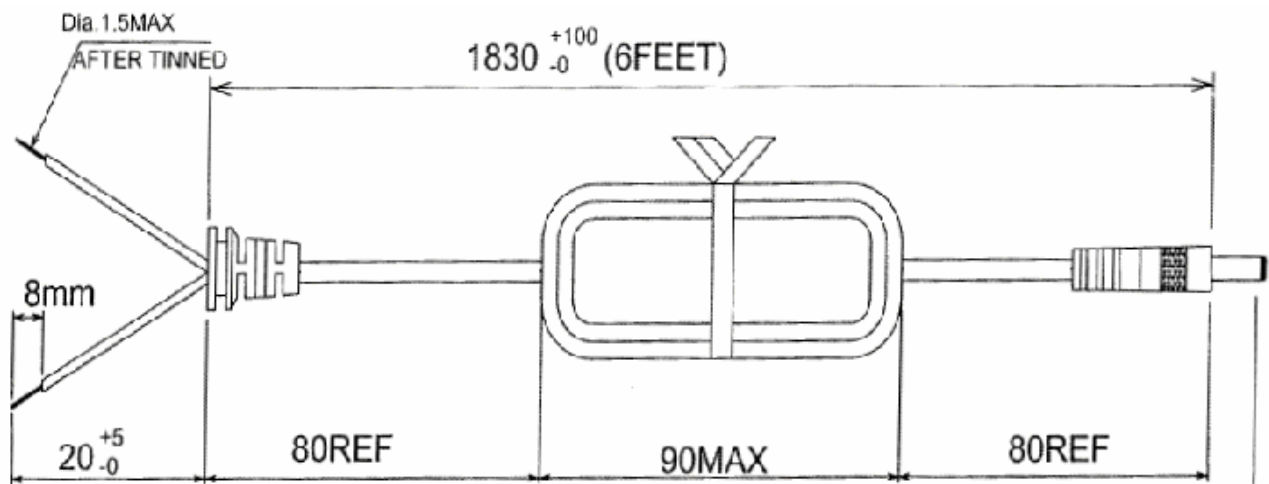
SYS 1308

Plug-in



SYS1308-W2E (European model)

All measurements in millimeters [mm]



1. CORD MATERIAL: SPT-1/XTW#18*2C.(UL APPROVAL).
2. OUT JACKET: PVC. COLOR: BLACK.
3. TEMPERATURE: 105° C .
4. PLUG TYPE: P073(堅徳用P228號模)
5. SR TYPE: SR18(SR為軟材質P60)

$2.1 \times 5.5 \times 12 (+/-0.3)$
Negative —●— Positive
SPRING LOADED CENTER
FEMALE BARREL
(YELLOW)