

Klippon Klippon POK 4

Weidmüller Interface GmbH & Co. KG
 Klingenbergstraße 16
 D-32758 Detmold
 Germany
 Fon: +49 5231 14-0
 Fax: +49 5231 14-292083
 www.weidmueller.com



Polyester housings The glass fibre-reinforced polyester housings of the Klippon POK series represent a high-quality, inexpensive solution for electric connections. These enclosures are ideal wherever corrosion resistance, shock resistance and a high class of protection are required.

Features:

- 17 sizes
- Cover with stainless steel screws
- fixing holes outside the sealed area
- Thread for fitting to terminal rails and mounting plates
- Weidmüller can manufacture and supply this enclosure to match customer specifications, fitted with all necessary terminals and cable glands.

General ordering data

Order No.	1277500000
Type	Klippon POK 4
Version	Klippon-Protected component assemblies, Enclosures, Glass fibre-reinforced polyester, 120 mm, 91 mm, 122 mm
GTIN (EAN)	4008190146283
Qty.	1 pc(s).

Klippon Klippon POK 4

Weidmüller Interface GmbH & Co. KG
 Klingenbergstraße 16
 D-32758 Detmold
 Germany
 Fon: +49 5231 14-0
 Fax: +49 5231 14-292083
 www.weidmueller.com

Technical data

Dimensions and weights

Length	91 mm	Width	122 mm
Height	120 mm	Mounting dimension - width	106 mm
Mounting dimension - height	82 mm	Weight	750 g
Net weight	720 g		

Cable glands, right

M12 (2)	8	M16 (2)	4
M20 (2)	3	M25 (2)	1
M32 (2)	1	Side of enclosure	left, top, right, Bottom

Cable glands, top/bottom

M12	12	M16	6
M20	4	M25	2
M32	1	Side of enclosure	left, top, right, Bottom

General information

Areas of use	Transportation, Harbour facilities, Process industry	UL 94 flammability rating	V-0
Material	Glass fibre-reinforced polyester	Seal material	Chloroprene
Surface finish	untreated	Colour code	RAL 7001
Operating temperature, min.	-40 °C	Operating temperature, max.	100 °C
Impact resistance	7.00 J	Protection degree	IP 66
Enclosure attachment	Holes 6 mm	Cover attachment	M6 slotted and crosshead stainless steel screws

General information on accessories

Material	Glass fibre-reinforced polyester	Mounting dimension - height	82 mm
Mounting dimension - width	106 mm	Surface finish	untreated

horizontal assembly

WDU 10 / ZDU 10	1x6	WDU 16 / ZDU 16	1x5
WDU 2,5 / ZDU 2,5 / IDU 2,5	1x12	WDU 4 / ZDU 4	1x10
WDU 6 / ZDU 6	1x7		

vertical assembly

WDU 10 / ZDU 10 (2)	*	WDU 16 / ZDU 16 (2)	*
WDU 2,5 / ZDU 2,5 / IDU 2,5 (2)	*	WDU 4 / ZDU 4 (2)	*
WDU 6 / ZDU 6 (2)	*		

Classifications

ETIM 2.0	EC000058	ETIM 3.0	EC000058
UNSPSC	31-26-15-02	eClass 4.1	27-14-12-06
eClass 5.1	27-14-91-07	eClass 6.0	27-14-91-07
eClass 7.0	27-14-91-07		

Data sheet...**Klippon
Klippon POK 4**

Weidmüller Interface GmbH & Co. KG
Klingenbergstraße 16
D-32758 Detmold
Germany
Fon: +49 5231 14-0
Fax: +49 5231 14-292083
www.weidmueller.com

Technical data**Test certificates**

Certificate No. (MARITREG)	09.04041.250	Certificate no. (cULus)	E223801ROSE
----------------------------	--------------	-------------------------	-------------

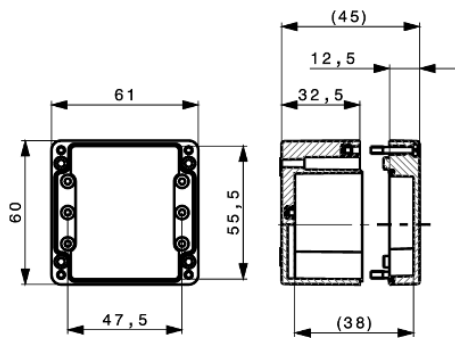
Approvals

Approvals



**Klippon
Klippon POK 4**

Weidmüller Interface GmbH & Co. KG
Klingenbergstraße 16
D-32758 Detmold
Germany
Fon: +49 5231 14-0
Fax: +49 5231 14-292083
www.weidmueller.com

Drawings

**Klippon
Klippon POK 4**

Weidmüller Interface GmbH & Co. KG
 Klingenbergstraße 16
 D-32758 Detmold
 Germany
 Fon: +49 5231 14-0
 Fax: +49 5231 14-292083
 www.weidmueller.com

Accessories

Wall-mounted holder

External fixing lugs



General ordering data

Order No.	Type	Version	GTIN (EAN)	Qty.
9510910000	MF POK big	General accessories- Protected component assemblies, External holder, Fixing lugs, Stainless steel	4032248009756	1 pc(s).

105 mm (K41/POK4)

Mounting rails are available in widths of 15 and 35 mm. They are cut to fit the various housing sizes. Three mounting plates are also available as an alternative to the mounting rail for small and flat housings.



General ordering data

Order No.	Type	Version	GTIN (EAN)	Qty.
1928110000	TS35 POK4 Set	Klippon-Protected component assemblies, Mounting rail, 105 mm	4032248577095	1 pc(s).

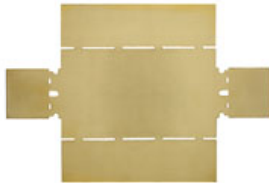
**Klippon
Klippon POK 4**

Weidmüller Interface GmbH & Co. KG
 Klingenbergstraße 16
 D-32758 Detmold
 Germany
 Fon: +49 5231 14-0
 Fax: +49 5231 14-292083
 www.weidmueller.com

Accessories

Earth plates

Earthing plates



General ordering data

Order No.	Type	Version	GTIN (EAN)	Qty.
9511040000	COPL POK 4	General accessories- Protected component assemblies, Earthing plate, Mounting plate, Steel	4008190851668	1 pc(s).

Mountig plates

Mounting plates, 2-mm steel sheet, galvanised or Pertinax



General ordering data

Order No.	Type	Version	GTIN (EAN)	Qty.
9510590000	MP POK 4	Mounting plates-Protected component assemblies, Mounting plate, Mounting plate, Sheet steel, galvanised	4008190498221	1 pc(s).