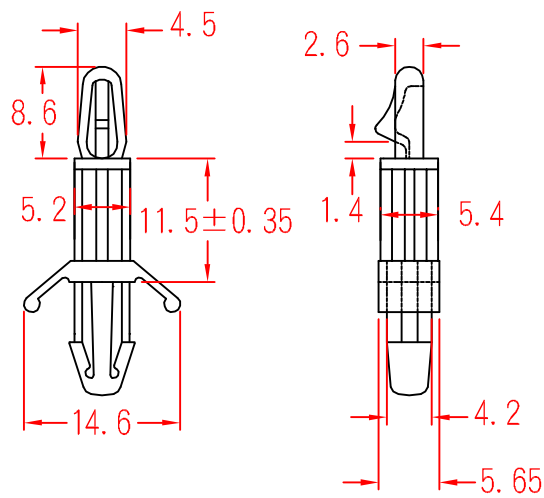


MCS-12

To fit 4.0mm hole
chassis 1.5~1.7mm



To fit 4.8mm hole
chassis 5.0mm

		MATERIAL UL 94V-2	ITEM NO.
		NYLON 66	MCS-12
SCALE		FINISH	NAME
			LOCKING CIRCUIT BOARDSUPPORT
△ (. .)	誤 差 TOLERANCE ± 0.5mm	△ (. .) 04-26-2004 DATE	REVISIONS K001
			R.NO.

