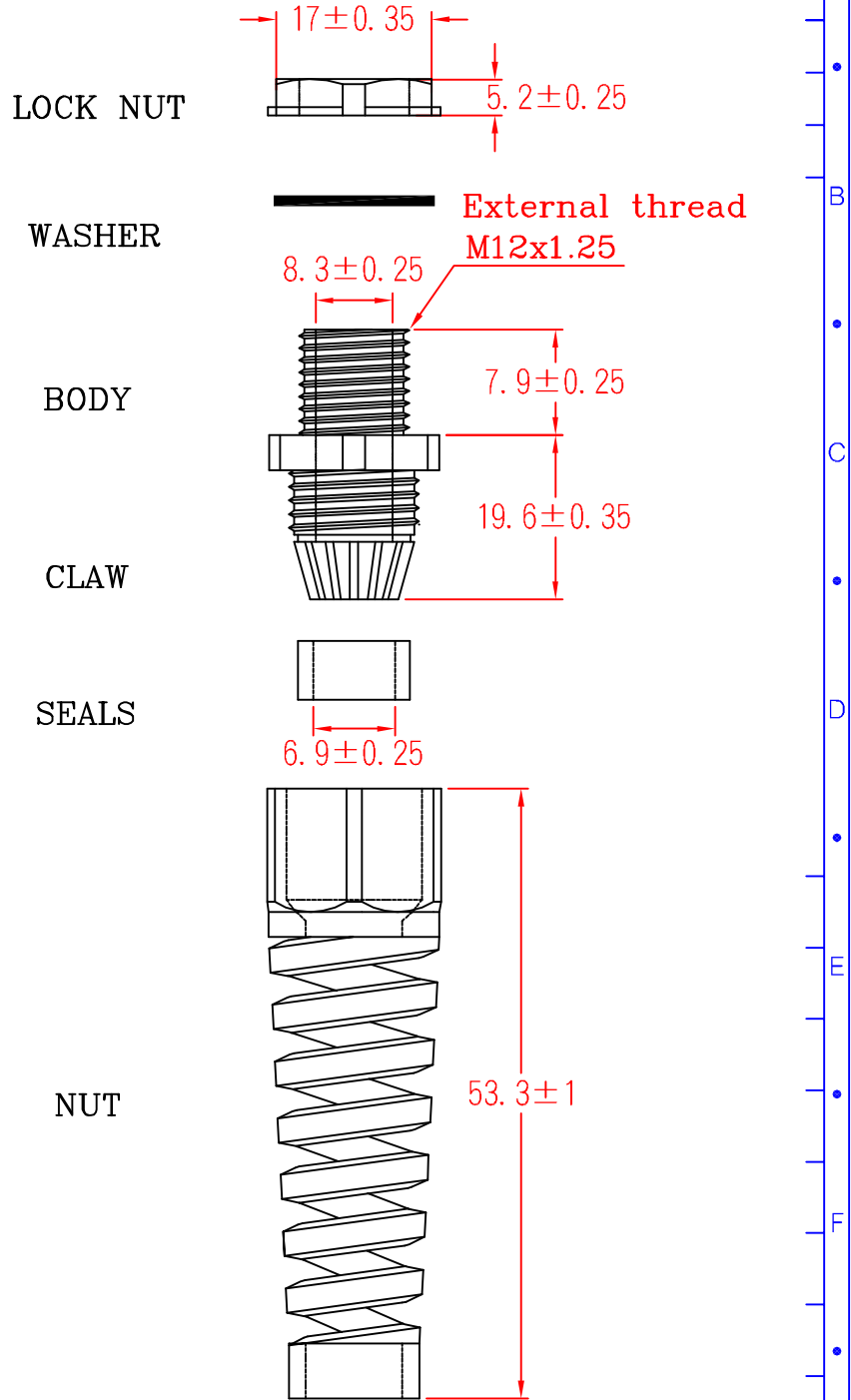


# AG-12SR



		MATERIAL: UL 94V-2 NYLON 66	ITEM NO. <b>AG-12SR</b>
SCALE		FINISH	NAME NYLON CABLE GLAND (WITH STRAIN RELIEF)
$\triangle$	(. . .)	TOLERANCE AS FIGURE	$\triangle$ 05-13-2009 DATE REVISIONS K002
			R.NO.

