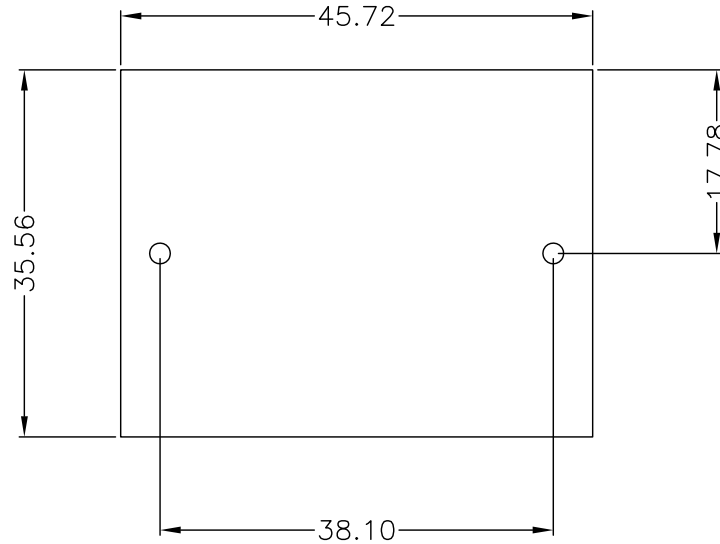
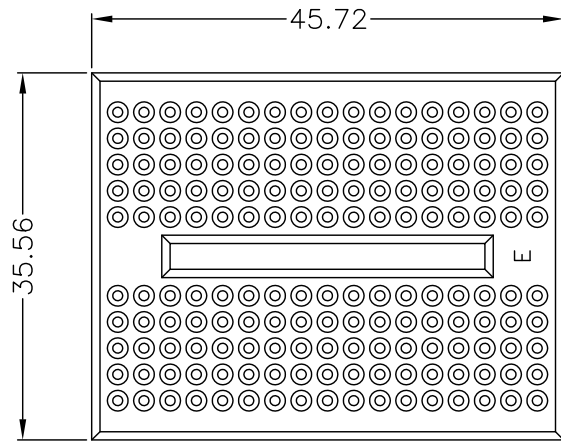


FOR RoHS



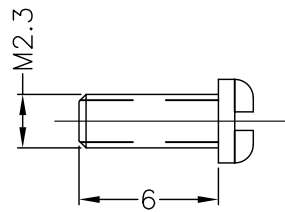
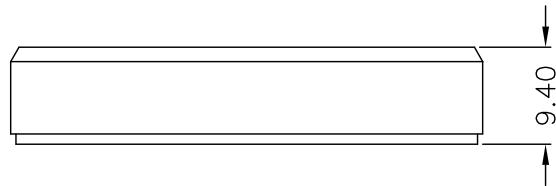
SOLDERLESS BREADBOARD

BOARD: E.I.C.Brand
 MATERIAL: POM,Plastic
 SURFACE: Colored

SPRING CLIP
 CONTACT: Phosphor Bronze
 FINISH: Nickel Plated
 INSERTION RANGE: 0.4-0.7mm
 PACKING: Blister

Blister

- Board:45.72*35.56*8.5(mm)
- 1 Terminal Strip



2 PCS



				TITLE: EIC-15010 Blister						
				PART NO: 0165-40-0-15010						
APPD: 陳德勝				MAT'L:		DWG NO: 100401-C1502				
A NEW RELEASE				Oct.04.10'		CHKD: Chun.Ter.Chlu		BODY:		
REV. DESCRIPTION				DATE		DRWN: Wen.Kai		CLIENT: ALL		
								UNITS	SCALE	SHEET
						mm		1:1		