

## LSF-28M/NT-B (Conrad-Nr. 541335)

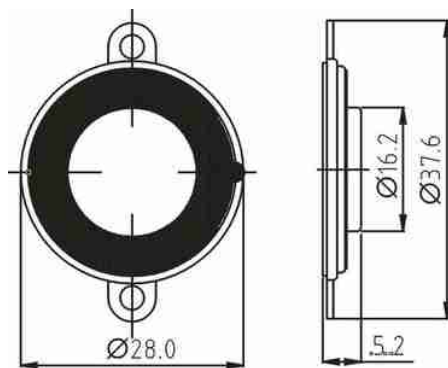
## EKULIT

### SPECIFICATIONS:

TYPE	UNIT	LSF-28M/NT-B
Impedance	$\Omega$	$8 \pm 15\%$
Power (Nominal)	W	2
Power (Maximum)	W	3
Resonant Frequency	Hz	$620 \pm 20\%$
Sound Pressure Level	dB	$92 \pm 3$
Frequency Range	Hz	$f_0 \sim 12.000$
Operating Temperature	$^{\circ}\text{C}$	$-20 \sim +65$
Storage Temperature	$^{\circ}\text{C}$	$-30 \sim +70$

### DIMENSIONS :

(Unit: mm)



### Picture :



### Frequency response:

