

**LSM-50M/NO-B** (Conrad-Nr. 541336)

**EKULIT**

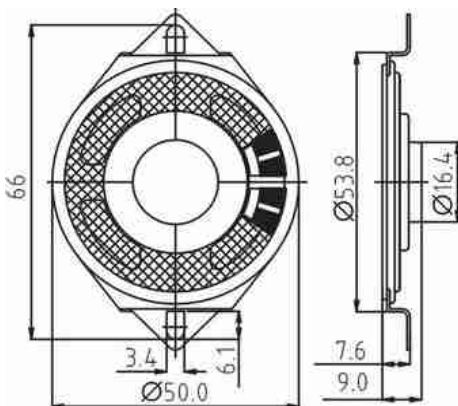
SPECIFICATIONS:

TYPE	UNIT	LSM-50M/NO-B
Impedance	$\Omega$	8±15%
Power (Nominal)	W	0.5
Power (Maximum)	W	1.0
Resonant Frequency	Hz	320±20%
Sound Pressure Level	dB	87±3
Frequency Range	Hz	Fo~20.000
Operating Temperature	°C	-20~+60
Storage Temperature	°C	-30~+70

DIMENSIONS :

Picture:

(Unit: mm)



Frequency response:

