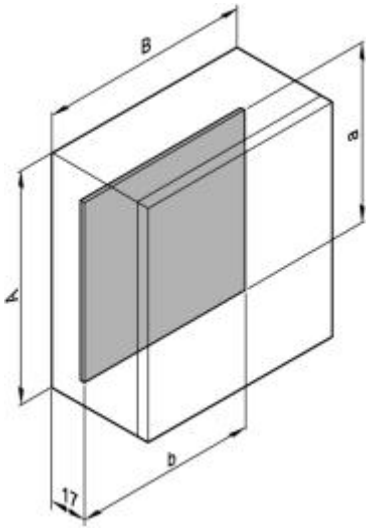


**Mounting plate**



**Article number: 22790-203**

- For assembly of electro-mechanical components

**Delivery quantity:**

Item	Qty	Description
1	1	Assembly plate, St 2,5 mm, -zinc-plated
2	1	Assembly kit

**Technical data:**

a	b	Weight	For case height	For case width
354 mm	354 mm	2,6 kg	400 mm	400 mm

**Technical data:**

A= case height, B= case width

**Notes:**

- Für tiefenverstellbare Montage der Montageplatte bitte Tiefenstreben und Montagewinkel separat bestellen

