

UL
E97527



14515-99 HH



DNV
E-4988

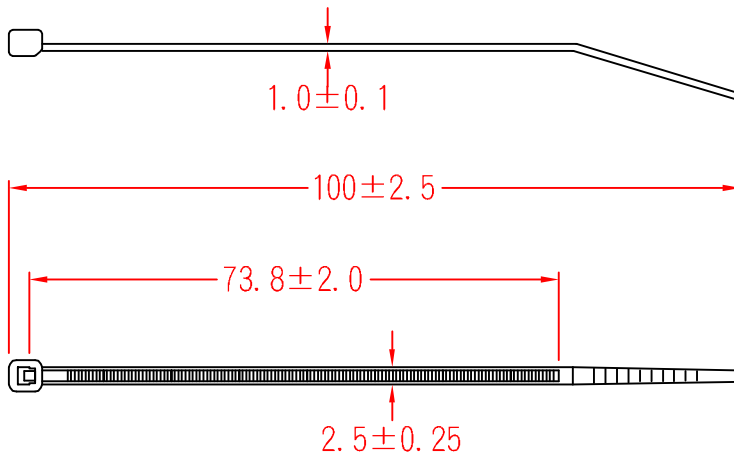
Lloyd's Register
00120055



40022513



CV-100



MATERIAL: UL 94V-2
NYLON 66

ITEM NO.
CV-100

SCALE

FINISH

NAME

NYLON CABLE TIE



(. .)

**TOLERANCE
AS FIGURE**



05-12-2009
DATE

REVISIONS **K002**

R.NO.

