

# PCB terminal block - GSMKDSN 1,5/ 2-7,62 - 1718605

Please be informed that the data shown in this PDF Document is generated from our Online Catalog. Please find the complete data in the user's documentation. Our General Terms of Use for Downloads are valid (<http://download.phoenixcontact.com>)



PCB terminal block, Nominal current: 16 A, Nom. voltage: 630 V, Pitch: 7.62 mm, Number of positions: 2, Connection method: Screw connection, Mounting: Soldering, Conductor/PCB connection direction: 55 °, Color: green, The article can be aligned to create different nos. of positions!

The figure shows a 10-position version of the product

## Product Features

- Angled type with connection direction angled 55° to the PCB
- Arrangement of several rows of terminal blocks one behind the other – multi-level effect with the same design height

## Key commercial data

|                  |               |
|------------------|---------------|
| package_quantity | 50            |
| GTIN             | 4017918024826 |

## Technical data

### Dimensions

|                |            |
|----------------|------------|
| Length         | 12 mm      |
| Pitch          | 7.62 mm    |
| Dimension a    | 7.62 mm    |
| Pin dimensions | 0,5 x 1 mm |
| Hole diameter  | 1.3 mm     |

### General

|                                  |   |
|----------------------------------|---|
| Range of articles                | GSMKDSN 1,5   |
| Insulating material group        | I   |
| Rated surge voltage (III/3)      | 6 kV  |
| Rated surge voltage (III/2)      | 6 kV  |
| Rated surge voltage (II/2)       | 6 kV  |
| Rated voltage (III/3)            | 500 V   |
| Rated voltage (III/2)            | 630 V   |
| Rated voltage (II/2)             | 1000 V  |
| Connection in acc. with standard | EN-VDE  |
| Nominal current I <sub>N</sub>   | 16 A  |
| Nominal cross section            | 1.5 mm <sup>2</sup>                                     |
| Maximum load current             | 16 A (with 1.5 mm <sup>2</sup> conductor cross section) |
| Insulating material              | PA  |
| Solder pin surface               | Sn  |

# PCB terminal block - GSMKDSN 1,5/ 2-7,62 - 1718605

## Technical data

### General

|   |        |
|---|--------|
| Inflammability class according to UL 94 | V2     |
| Internal cylindrical gage               | A 1    |
| Stripping length                        | 6 mm   |
| Number of positions                     | 2      |
| Screw thread                            | M3     |
| Tightening torque, min                  | 0.5 Nm |
| Tightening torque max                   | 0.6 Nm |

### Connection data

|   |                      |
|---|----------------------|
| Conductor cross section solid min.  | 0.14 mm <sup>2</sup> |
| Conductor cross section solid max.  | 1.5 mm <sup>2</sup>  |
| Conductor cross section stranded min.   | 0.14 mm <sup>2</sup> |
| Conductor cross section stranded max.   | 1.5 mm <sup>2</sup>  |
| Conductor cross section stranded, with ferrule without plastic sleeve min.              | 0.25 mm <sup>2</sup> |
| Conductor cross section stranded, with ferrule without plastic sleeve max.              | 1.5 mm <sup>2</sup>  |
| Conductor cross section stranded, with ferrule with plastic sleeve min.                 | 0.25 mm <sup>2</sup> |
| Conductor cross section stranded, with ferrule with plastic sleeve max.                 | 1.5 mm <sup>2</sup>  |
| Conductor cross section AWG/kcmil min.  | 26                   |
| Conductor cross section AWG/kcmil max   | 16                   |
| 2 conductors with same cross section, solid min.  | 0.14 mm <sup>2</sup> |
| 2 conductors with same cross section, solid max.  | 0.75 mm <sup>2</sup> |
| 2 conductors with same cross section, stranded min.                                     | 0.14 mm <sup>2</sup> |
| 2 conductors with same cross section, stranded max.                                     | 0.75 mm <sup>2</sup> |
| 2 conductors with same cross section, stranded, ferrules without plastic sleeve, min.   | 0.25 mm <sup>2</sup> |
| 2 conductors with same cross section, stranded, ferrules without plastic sleeve, max.   | 0.5 mm <sup>2</sup>  |
| 2 conductors with same cross section, stranded, TWIN ferrules with plastic sleeve, min. | 0.5 mm <sup>2</sup>  |
| 2 conductors with same cross section, stranded, TWIN ferrules with plastic sleeve, max. | 1 mm <sup>2</sup>    |
| Minimum AWG according to UL/CUL   | 30                   |
| Maximum AWG according to UL/CUL   | 14                   |

## classifications

### eCl@ss

|            |          |
|------------|----------|
| eCl@ss 4.0 | 27141109 |
| eCl@ss 4.1 | 27141109 |
| eCl@ss 5.0 | 27141190 |
| eCl@ss 5.1 | 27141190 |

# PCB terminal block - GSMKDSN 1,5/ 2-7,62 - 1718605

## classifications

### eCl@ss

|            |          |
|------------|----------|
| eCl@ss 6.0 | 27261101 |
| eCl@ss 7.0 | 27440401 |
| eCl@ss 8.0 | 27440401 |

### ETIM

|          |          |
|----------|----------|
| ETIM 3.0 | EC001121 |
| ETIM 4.0 | EC002643 |
| ETIM 5.0 | EC002643 |

### UNSPSC

|               |          |
|---------------|----------|
| UNSPSC 6.01   | 30211801 |
| UNSPSC 7.0901 | 39121432 |
| UNSPSC 11     | 39121432 |
| UNSPSC 12.01  | 39121432 |
| UNSPSC 13.2   | 39121432 |

## approvals

CSA / UL Recognized / SEV / cUL Recognized / GOST / CCA / IECCEB Scheme / GOST / cULus Recognized /

### Approval details

| Usegroups                  | B     | D     |
|----------------------------|-------|-------|
| Nominal voltage UN         | 300 V | 300 V |
| Nominal current IN         | 10 A  | 10 A  |
| mm <sup>2</sup> /AWG/kcmil | 28-14 | 28-14 |

| Usegroups                  | B     | D     |
|----------------------------|-------|-------|
| Nominal voltage UN         | 300 V | 300 V |
| Nominal current IN         | 10 A  | 10 A  |
| mm <sup>2</sup> /AWG/kcmil | 30-14 | 30-14 |

|                    |       |
|--------------------|-------|
| <b>SEV</b>         |       |
| Nominal voltage UN | 400 V |
| Nominal current IN |       |

# PCB terminal block - GSMKDSN 1,5/ 2-7,62 - 1718605

## approvals

|                            |     |
|----------------------------|-----|
| mm <sup>2</sup> /AWG/kcmil | 1.5 |
|----------------------------|-----|

| cUL Recognized             |       |       |
|----------------------------|-------|-------|
| Usegroups                  | B     | D     |
| Nominal voltage UN         | 300 V | 300 V |
| Nominal current IN         | 10 A  | 10 A  |
| mm <sup>2</sup> /AWG/kcmil | 30-14 | 30-14 |

|      |
|------|
| GOST |
|------|

|     |
|-----|
| CCA |
|-----|

|                 |
|-----------------|
| IECEE CB Scheme |
|-----------------|

|  |
|--|
|  |
|--|

|                  |
|------------------|
| cULus Recognized |
|------------------|

## accessories

### Labeled terminal marker

SK 7,62/5:FORTL.ZAHLEN - 0804552



## Screwdriver tools

# PCB terminal block - GSMKDSN 1,5/ 2-7,62 - 1718605

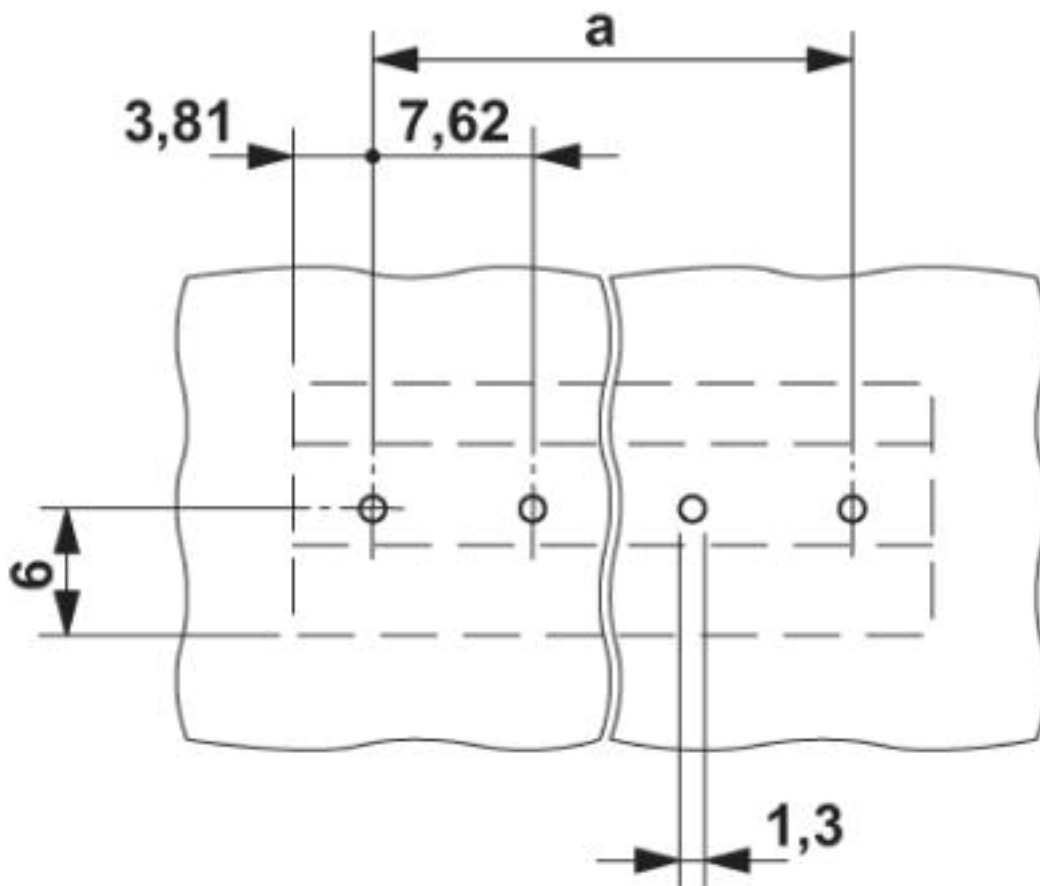
accessories

SZS 0,4X2,5 VDE - 1205037



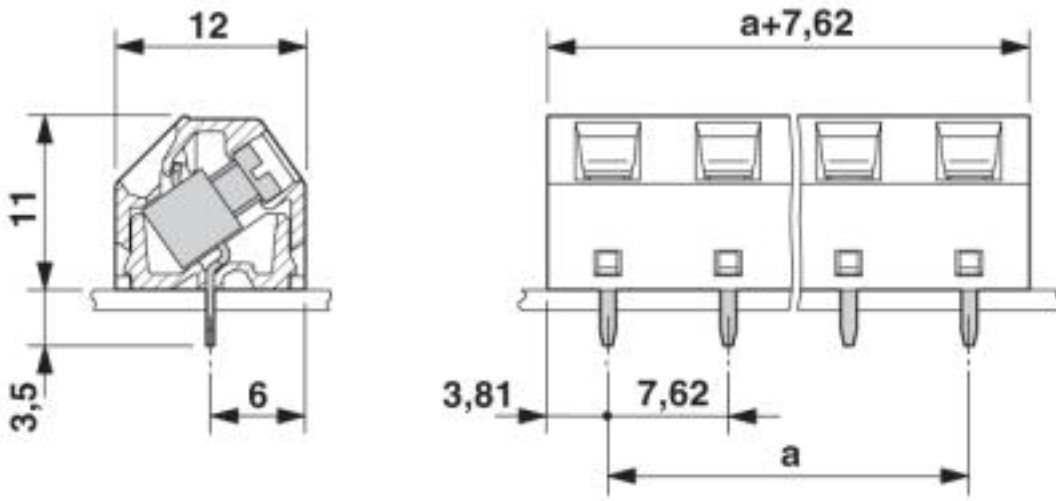
## Drawings

Drilling diagram



# PCB terminal block - GSMKDSN 1,5/ 2-7,62 - 1718605

Dimensioned drawing



© Phoenix Contact 2013 - all rights reserved  
<http://www.phoenixcontact.com>