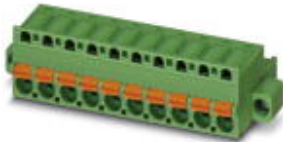


# Printed-circuit board connector - FKC 2,5/12-STF-5,08 - 1873304

Please be informed that the data shown in this PDF Document is generated from our Online Catalog. Please find the complete data in the user's documentation. Our General Terms of Use for Downloads are valid (<http://download.phoenixcontact.com>)



Plug component, Nominal current: 12 A, Rated voltage (III/2): 320 V, Number of positions: 12, Pitch: 5.08 mm, Connection method: Spring-cage conn., Color: green, Contact surface: Tin

The figure shows a 10-position version of the product

## Product Features

- Can be combined with the MSTB 2,5 range
- For larger numbers of positions up to 24-pos., visit: [phoenixcontact.net/products](http://phoenixcontact.net/products)
- Fast conductor connection thanks to Push-in spring-cage connection
- Two test connections for accommodating 2 mm Ø test pins or 2.3 mm Ø test plug
- Contacting of solid or stranded conductors with ferrules without actuating the opening lever directly in the terminal point

## Key commercial data

<b>package_quantity</b>	50
<b>GTIN</b>	4017918142698

## Technical data

### Dimensions

<b>Pitch</b>	5.08 mm
<b>Dimension a</b>	55.88 mm

### General

<b>Range of articles</b>	FKC 2,5/..-STF
<b>Insulating material group</b>	I
<b>Rated surge voltage (III/3)</b>	4 kV
<b>Rated surge voltage (III/2)</b>	4 kV
<b>Rated surge voltage (II/2)</b>	4 kV
<b>Rated voltage (III/3)</b>	250 V
<b>Rated voltage (III/2)</b>	320 V
<b>Rated voltage (II/2)</b>	630 V
<b>Connection in acc. with standard</b>	EN-VDE
<b>Nominal current I<sub>N</sub></b>	12 A
<b>Nominal cross section</b>	2.5 mm <sup>2</sup>
<b>Maximum load current</b>	12 A
<b>Insulating material</b>	PA
<b>Inflammability class according to UL 94</b>	V0

# Printed-circuit board connector - FKC 2,5/12-STF-5,08 - 1873304

## Technical data

### General

Internal cylindrical gage	A2
Stripping length	10 mm
Number of positions	12

### Connection data

Conductor cross section solid min.	0.2 mm <sup>2</sup>
Conductor cross section solid max.	2.5 mm <sup>2</sup>
Conductor cross section stranded min.	0.2 mm <sup>2</sup>
Conductor cross section stranded max.	2.5 mm <sup>2</sup>
Conductor cross section stranded, with ferrule without plastic sleeve min.	0.25 mm <sup>2</sup>
Conductor cross section stranded, with ferrule without plastic sleeve max.	2.5 mm <sup>2</sup>
Conductor cross section stranded, with ferrule with plastic sleeve min.	0.25 mm <sup>2</sup>
Conductor cross section stranded, with ferrule with plastic sleeve max.	2.5 mm <sup>2</sup>
Conductor cross section AWG/kcmil min.	24
Conductor cross section AWG/kcmil max	12
2 conductors with same cross section, stranded, TWIN ferrules with plastic sleeve, min.	0.5 mm <sup>2</sup>
2 conductors with same cross section, stranded, TWIN ferrules with plastic sleeve, max.	1.5 mm <sup>2</sup>
Minimum AWG according to UL/CUL	26
Maximum AWG according to UL/CUL	12

## classifications

### eCl@ss

eCl@ss 4.0	272607xx
eCl@ss 4.1	27260701
eCl@ss 5.0	27260701
eCl@ss 5.1	27260701
eCl@ss 6.0	27260704
eCl@ss 7.0	27440402
eCl@ss 8.0	27440402

### ETIM

ETIM 3.0	EC001121
ETIM 4.0	EC002638
ETIM 5.0	EC002638

### UNSPSC

UNSPSC 6.01	30211810
UNSPSC 7.0901	39121409

# Printed-circuit board connector - FKC 2,5/12-STF-5,08 - 1873304

## classifications

### UNSPSC

<b>UNSPSC 11</b>	39121409
<b>UNSPSC 12.01</b>	39121409
<b>UNSPSC 13.2</b>	39121409

## approvals

UL Recognized / VDE Gutachten mit Fertigungsüberwachung / cUL Recognized / GOST / IECEE CB Scheme / GOST / CCA / cULus Recognized /

### Approval details

**UL Recognized**

Usegroups	B	D
Nominal voltage UN	300 V	300 V
Nominal current IN	10 A	10 A
mm <sup>2</sup> /AWG/kcmil	26-12	26-12

**VDE Gutachten mit Fertigungsüberwachung**

Nominal voltage UN	250 V
Nominal current IN	12 A
mm <sup>2</sup> /AWG/kcmil	0.2-2.5

**cUL Recognized**

Usegroups	B	D
Nominal voltage UN	300 V	300 V
Nominal current IN	10 A	10 A
mm <sup>2</sup> /AWG/kcmil	26-12	26-12

**GOST**

**IECEE CB Scheme**

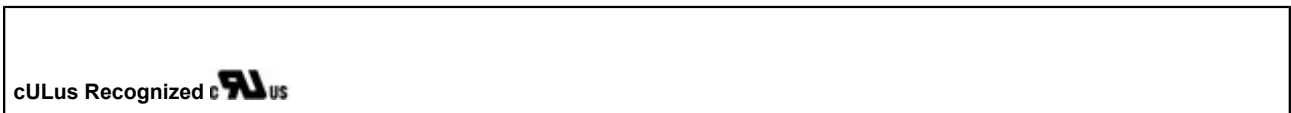
# Printed-circuit board connector - FKC 2,5/12-STF-5,08 - 1873304

## approvals

Nominal voltage UN	250 V
Nominal current IN	12 A
mm <sup>2</sup> /AWG/kcmil	0.2-2.5



<b>CCA</b>	
Nominal voltage UN	250 V
Nominal current IN	12 A
mm <sup>2</sup> /AWG/kcmil	0.2-2.5



## accessories

### Coding element

CP-MSTB - 1734634



---

### Test plug terminal block

MPS-MT - 0201744



## Printed-circuit board connector - FKC 2,5/12-STF-5,08 - 1873304

### accessories

RPS - 0201647



---

### Screwdriver tools

SZS 0,6X3,5 - 1205053



---

### Labeled terminal marker

SK 5,08/3,8:FORTL.ZAHLEN - 0804293



---

### accessories

STZ 4-FKC-5,08 - 1876877



---

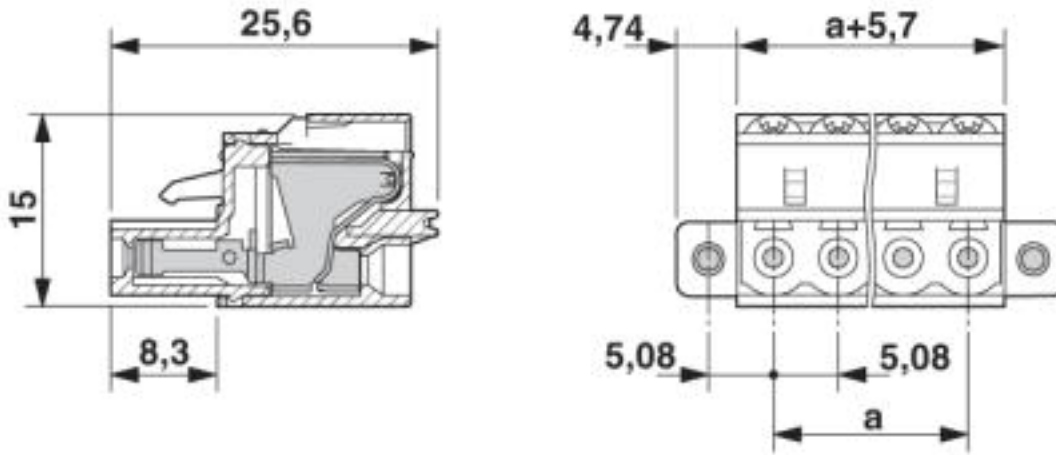
STZ 8-FKC-5,08 - 1876880

---

# Printed-circuit board connector - FKC 2,5/12-STF-5,08 - 1873304

## Drawings

Dimensioned drawing



© Phoenix Contact 2013 - all rights reserved  
<http://www.phoenixcontact.com>