

Base strip - MCV 1,5/11-GF-3,81 - 1830680

Please be informed that the data shown in this PDF Document is generated from our Online Catalog. Please find the complete data in the user's documentation. Our General Terms of Use for Downloads are valid (<http://download.phoenixcontact.com>)



Header, Nominal current: 8 A, Rated voltage (III/2): 160 V, Number of positions: 11, Pitch: 3.81 mm, Color: green, Contact surface: Tin, Assembly: Soldering

The figure shows a 10-position version of the product

Product Features

- Versions with engagement noses for locking plugs with self-locking flanges
- Low-profile pin strips with compact pitches

Key commercial data

package_quantity	50
GTIN	4017918051334

Technical data

Dimensions

Length	7.25 mm
Pitch	3.81 mm
Dimension a	38.1 mm
Pin dimensions	0,8 x 0,8 mm
Hole diameter	1.2 mm

General

Range of articles	MCV 1,5/...-GF
Insulating material group	IIIa
Rated surge voltage (III/3)	2.5 kV
Rated surge voltage (III/2)	2.5 kV
Rated surge voltage (II/2)	2.5 kV
Rated voltage (III/3)	160 V
Rated voltage (III/2)	160 V
Rated voltage (II/2)	250 V
Connection in acc. with standard	EN-VDE
Nominal current I _N	8 A
Maximum load current	8 A
Insulating material	PBT
Inflammability class according to UL 94	V0
Color	green

Base strip - MCV 1,5/11-GF-3,81 - 1830680

Technical data

General

Number of positions	11
----------------------------	----

classifications

eCl@ss

eCl@ss 4.0	272607xx
eCl@ss 4.1	27260701
eCl@ss 5.0	27260701
eCl@ss 5.1	27260701
eCl@ss 6.0	27260704
eCl@ss 7.0	27440402
eCl@ss 8.0	27440402

ETIM

ETIM 3.0	EC001121
ETIM 4.0	EC002637
ETIM 5.0	EC002637


UNSPSC

UNSPSC 6.01	30211810
UNSPSC 7.0901	39121409
UNSPSC 11	39121409
UNSPSC 12.01	39121409
UNSPSC 13.2	39121409

approvals

CSA / VDE Gutachten mit Fertigungsüberwachung / GOST / IECCEB Scheme / GOST / CCA /

Approval details

		
Usegroups	B	D
Nominal voltage UN	300 V	300 V
Nominal current IN	8 A	8 A
mm ² /AWG/kcmil		


VDE Gutachten mit Fertigungsüberwachung 

Base strip - MCV 1,5/11-GF-3,81 - 1830680

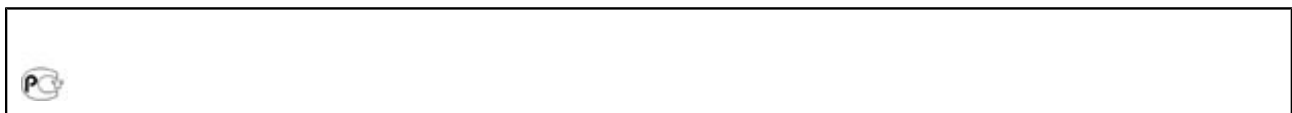
approvals

Nominal voltage UN	160 V
Nominal current IN	8 A
mm ² /AWG/kcmil	



IECEE CB Scheme 

Nominal voltage UN	160 V
Nominal current IN	8 A
mm ² /AWG/kcmil	



CCA

Nominal voltage UN	160 V
Nominal current IN	8 A
mm ² /AWG/kcmil	

accessories

Labeled terminal marker

SK 3,81/2,8:FORTL.ZAHLEN - 0804109



Coding element

Base strip - MCV 1,5/11-GF-3,81 - 1830680

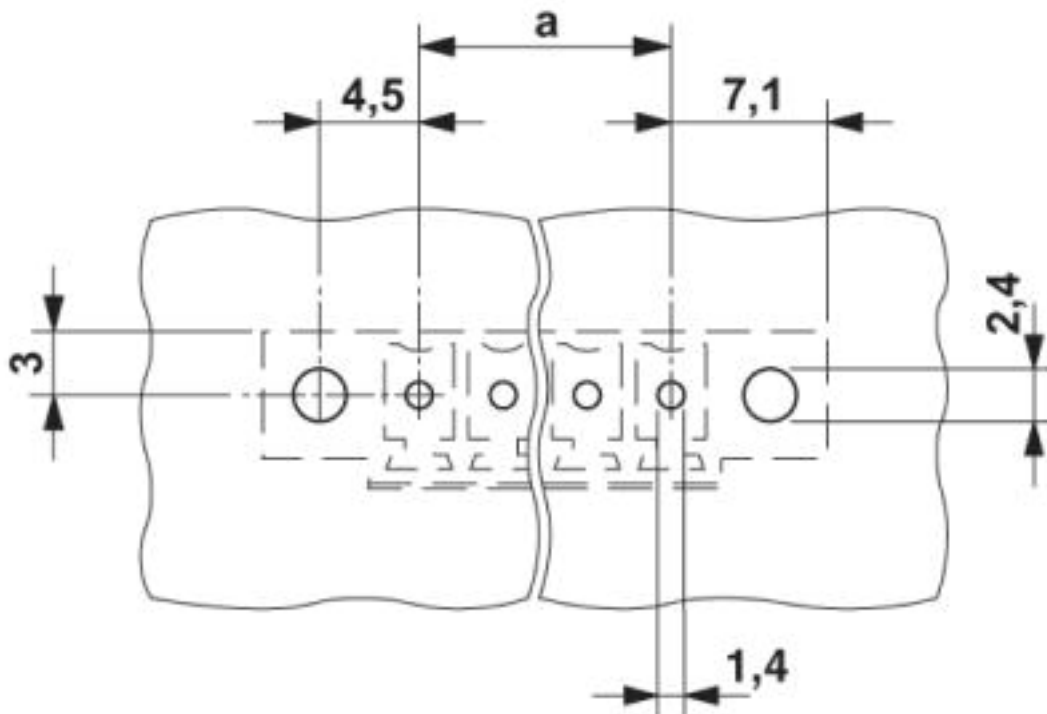
accessories

CP-MSTB - 1734634



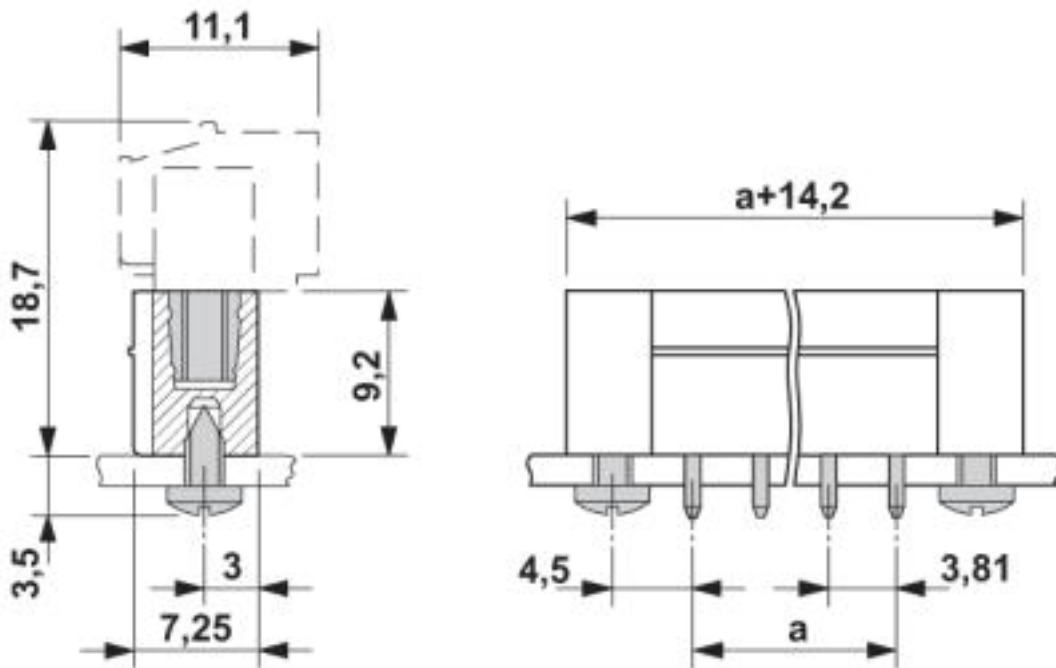
Drawings

Drilling diagram



Base strip - MCV 1,5/11-GF-3,81 - 1830680

Dimensioned drawing



© Phoenix Contact 2013 - all rights reserved
<http://www.phoenixcontact.com>