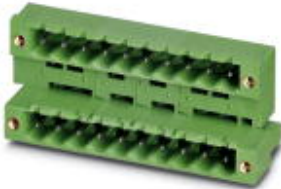


Base strip - MDSTB 2,5/ 4-GF-5,08 - 1842380

Please be informed that the data shown in this PDF Document is generated from our Online Catalog. Please find the complete data in the user's documentation. Our General Terms of Use for Downloads are valid (<http://download.phoenixcontact.com>)



Header, Nominal current: 10 A, Rated voltage (III/2): 320 V, Number of positions: 4, Pitch: 5.08 mm, Color: green, Contact surface: Tin, Assembly: Soldering, The article can be aligned to create different nos. of positions! In combination with MVSTB or FKCV plug components, both an MVSTBW (or FKCVW) and an MVSTBR plug (or FKCVR) must be used. Combination with TMSTBP plug components is not possible!

The figure shows a 10-pos. version with 20 contacts

Product Features

- Plug-in direction parallel to the PCB
- Double-level header with offset levels
- Improved view and access to lower level
- High contact density
- Add-on ejectors for high-pos. connectors should be mounted to the left and right

Key commercial data

package_quantity	50
GTIN	4017918184131

Technical data

Dimensions

Length	22.1 mm
Pitch	5.08 mm
Dimension a	15.24 mm
Pin dimensions	1 x 1 mm
Hole diameter	1.4 mm

General

Range of articles	MDSTB 2,5/..-GF
Insulating material group	I
Rated surge voltage (III/3)	4 kV
Rated surge voltage (III/2)	4 kV
Rated surge voltage (II/2)	4 kV
Rated voltage (III/3)	250 V
Rated voltage (III/2)	320 V
Rated voltage (II/2)	400 V
Nominal current I _N	10 A
Maximum load current	10 A
Insulating material	PBT

Base strip - MDSTB 2,5/ 4-GF-5,08 - 1842380

Technical data

General

Inflammability class according to UL 94	V0
Color	green
Number of positions	4

classifications

eCl@ss

eCl@ss 4.0	272607xx
eCl@ss 4.1	27260701
eCl@ss 5.0	27260701
eCl@ss 5.1	27260701
eCl@ss 6.0	27260704
eCl@ss 7.0	27440402
eCl@ss 8.0	27440402

ETIM

ETIM 3.0	EC001121
ETIM 4.0	EC002637
ETIM 5.0	EC002637


UNSPSC

UNSPSC 6.01	30211810
UNSPSC 7.0901	39121409
UNSPSC 11	39121409
UNSPSC 12.01	39121409
UNSPSC 13.2	39121409

approvals

UL Recognized / VDE Gutachten mit Fertigungsüberwachung / cUL Recognized / GOST / IECEE CB Scheme / GOST / CCA / cULus Recognized /

Approval details

UL Recognized 		
Usegroups	B	D
Nominal voltage UN	300 V	300 V
Nominal current IN	15 A	10 A
mm ² /AWG/kcmil		

Base strip - MDSTB 2,5/ 4-GF-5,08 - 1842380

approvals

VDE Gutachten mit Fertigungsüberwachung

Nominal voltage UN	250 V
Nominal current IN	10 A
mm ² /AWG/kcmil	

cUL Recognized

Usegroups	B	D
Nominal voltage UN	300 V	300 V
Nominal current IN	15 A	10 A
mm ² /AWG/kcmil		

GOST

IECEE CB Scheme

Nominal voltage UN	250 V
Nominal current IN	10 A
mm ² /AWG/kcmil	

CCA

Nominal voltage UN	250 V
Nominal current IN	10 A
mm ² /AWG/kcmil	

cULus Recognized

Base strip - MDSTB 2,5/ 4-GF-5,08 - 1842380

accessories

Filler plug

MSTB-BL - 1755477



Coding element

CR-MSTB - 1734401



Labeled terminal marker

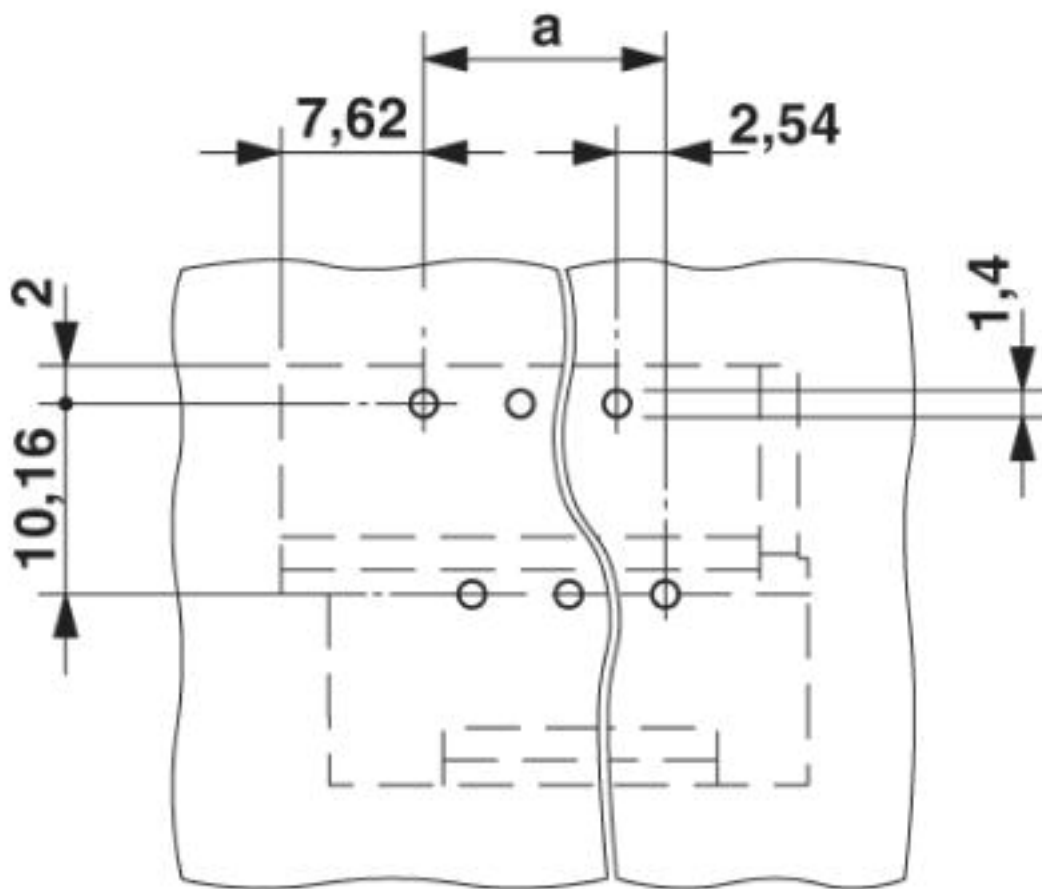
SK 5,08/3,8:FORTL.ZAHLEN - 0804293



Drawings

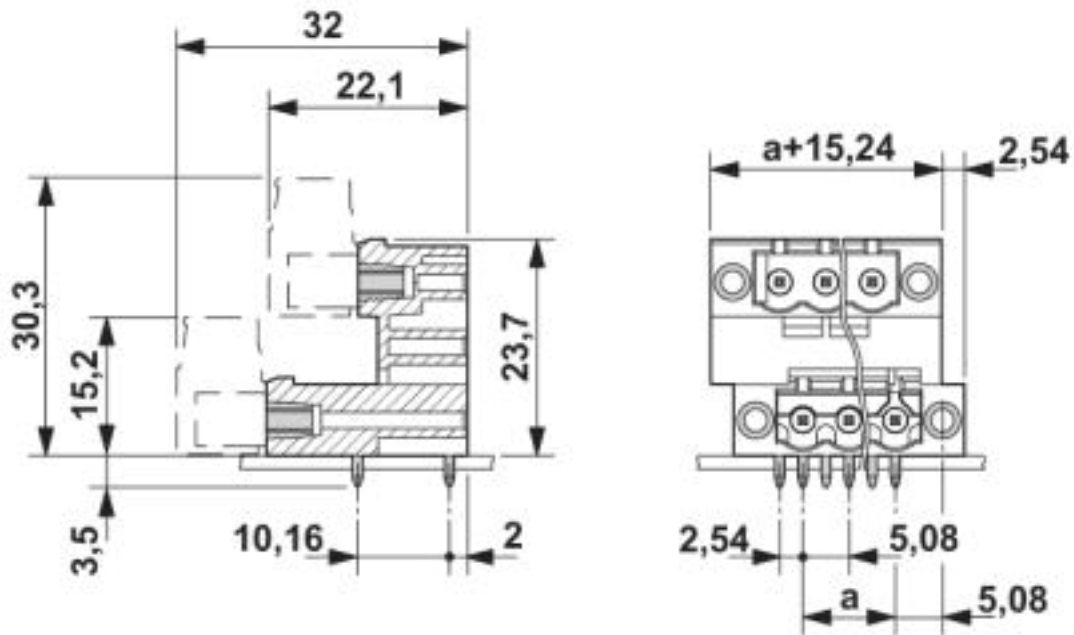
Base strip - MDSTB 2,5/ 4-GF-5,08 - 1842380

Drilling diagram



Base strip - MDSTB 2,5/ 4-GF-5,08 - 1842380

Dimensioned drawing



© Phoenix Contact 2013 - all rights reserved
<http://www.phoenixcontact.com>