

Base strip - MDSTBV 2,5/ 3-G - 1763045

Please be informed that the data shown in this PDF Document is generated from our Online Catalog. Please find the complete data in the user's documentation. Our General Terms of Use for Downloads are valid (<http://download.phoenixcontact.com>)



Header, Nominal current: 10 A, Rated voltage (III/2): 320 V, Number of positions: 3, Pitch: 5 mm, Color: green, Contact surface: Tin, Assembly: Soldering, Can be aligned! Mounting flange: Order No. 1836477, 1836480. In combination with MVSTB or FKCV plug components, both an MVSTBW (or FKCVW) and an MVSTBR plug (or FKCVR) must be used. Combination with TMSTBP plug components is not possible!

The figure shows a 10-pos. version with 20 contacts

Product Features

- Plug-in direction vertical to the PCB
- Double-level header with offset levels
- High contact density
- Improved view and access to lower level

Key commercial data

package_quantity	50
GTIN	4017918031619

Technical data

Dimensions

Length	23.7 mm
Pitch	5 mm
Dimension a	10 mm
Pin dimensions	1 x 1 mm
Hole diameter	1.4 mm

General

Range of articles	MDSTBV 2,5/...-G
Insulating material group	IIIa
Rated surge voltage (III/3)	4 kV
Rated surge voltage (III/2)	4 kV
Rated surge voltage (II/2)	4 kV
Rated voltage (III/3)	250 V
Rated voltage (III/2)	320 V
Rated voltage (II/2)	400 V
Connection in acc. with standard	EN-VDE
Nominal current I_N	10 A
Maximum load current	10 A
Insulating material	PBT

Base strip - MDSTBV 2,5/ 3-G - 1763045

Technical data

General

Inflammability class according to UL 94	V0
Color	green
Number of positions	3

classifications

eCl@ss

eCl@ss 4.0	272607xx
eCl@ss 4.1	27260701
eCl@ss 5.0	27260701
eCl@ss 5.1	27260701
eCl@ss 6.0	27260704
eCl@ss 7.0	27440402
eCl@ss 8.0	27440402

ETIM

ETIM 3.0	EC001121
ETIM 4.0	EC002637
ETIM 5.0	EC002637


UNSPSC

UNSPSC 6.01	30211810
UNSPSC 7.0901	39121409
UNSPSC 11	39121409
UNSPSC 12.01	39121409
UNSPSC 13.2	39121409

approvals

CSA / UL Recognized / VDE Gutachten mit Fertigungsüberwachung / cUL Recognized / GOST / IECCE CB Scheme / GOST / CCA / cULus Recognized /

Approval details

		
Usegroups	B	D
Nominal voltage UN	300 V	300 V
Nominal current IN	12 A	12 A
mm ² /AWG/kcmil		

Base strip - MDSTBV 2,5/ 3-G - 1763045

approvals

UL Recognized

Usegroups	B	D
Nominal voltage UN	300 V	300 V
Nominal current IN	12 A	10 A
mm ² /AWG/kcmil		

VDE Gutachten mit Fertigungsüberwachung

Nominal voltage UN	250 V
Nominal current IN	10 A
mm ² /AWG/kcmil	

cUL Recognized

Usegroups	B	D
Nominal voltage UN	300 V	300 V
Nominal current IN	12 A	10 A
mm ² /AWG/kcmil		

GOST

IECEE CB Scheme

Nominal voltage UN	250 V
Nominal current IN	10 A
mm ² /AWG/kcmil	

CCA

Nominal voltage UN	250 V
--------------------	-------

Base strip - MDSTBV 2,5/ 3-G - 1763045

approvals

Nominal current IN	10 A
mm ² /AWG/kcmil	



accessories

Filler plug

MSTB-BL - 1755477



Coding element

CR-MSTB - 1734401



Labeled terminal marker

SK 5/3,8:FORTL.ZAHLEN - 0804183



Printed circuit board housing

Base strip - MDSTBV 2,5/ 3-G - 1763045

accessories

MDSTBV 2,5/ 2-GFL-5,08 - 1836477



MDSTBV 2,5/ 2-GFR-5,08 - 1836480



accessories

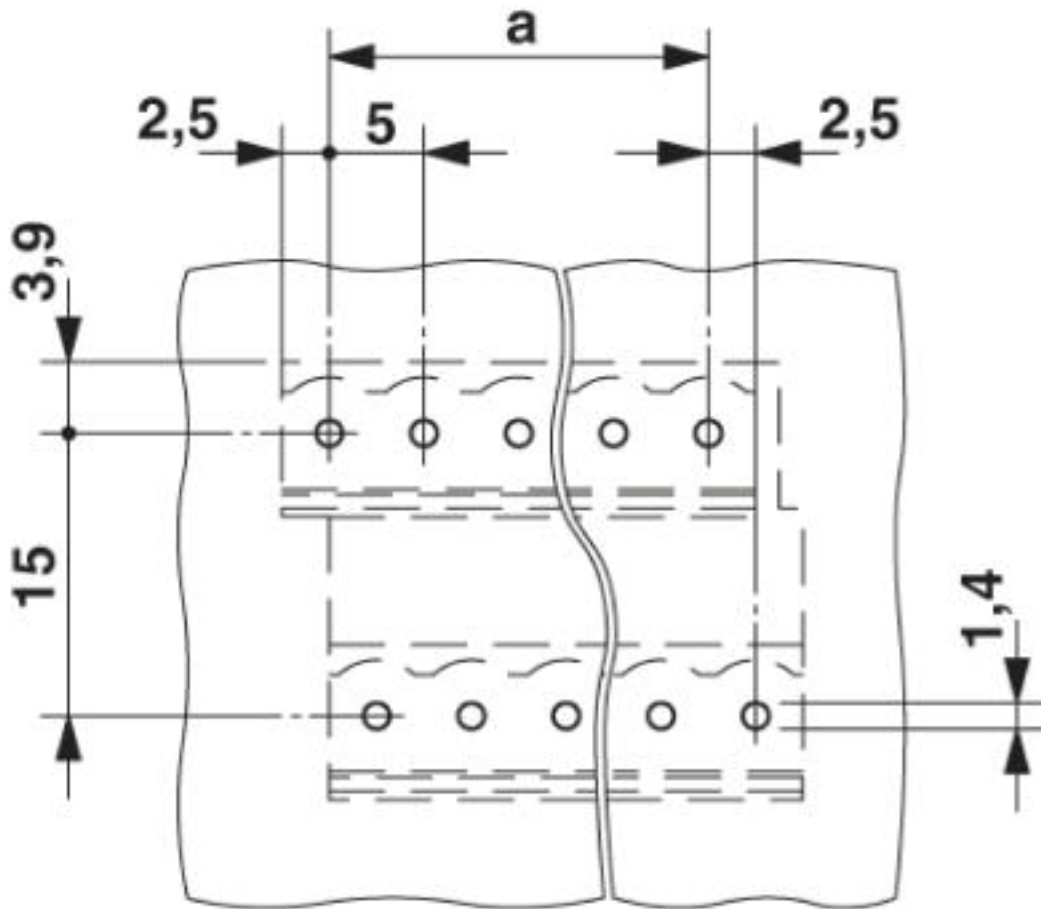
MDSTB-SE - 1786679



Drawings

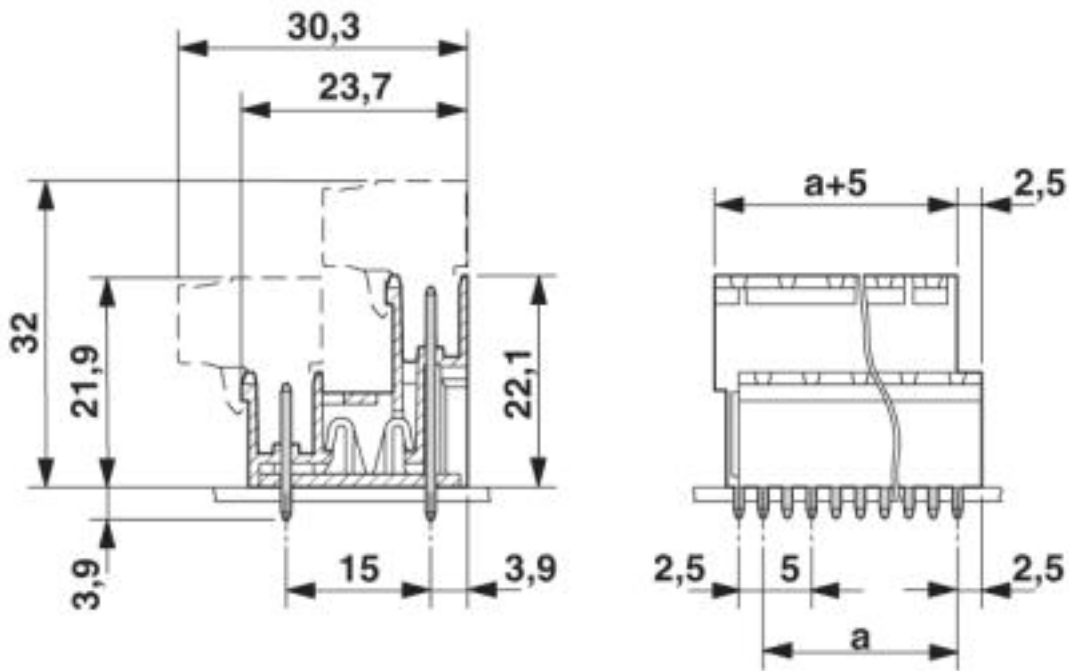
Base strip - MDSTBV 2,5/ 3-G - 1763045

Drilling diagram



Base strip - MDSTBV 2,5/ 3-G - 1763045

Dimensioned drawing



© Phoenix Contact 2013 - all rights reserved
<http://www.phoenixcontact.com>