

Housing - HC-D 7-KML-61/M1PG11 - 1773297

Please be informed that the data shown in this PDF Document is generated from our Online Catalog. Please find the complete data in the user's documentation. Our General Terms of Use for Downloads are valid (<http://download.phoenixcontact.com>)



Coupling housing, with single locking latch, height: 60.5 mm, with screw connection, 1 x Pg11, zinc die-cast

Key commercial data

package_quantity	10
GTIN	4017918122287

Technical data

Dimensions

Height	60.5 mm
Width	26.5 mm
Length	26.5 mm
Wrench size, union nut	18 mm
External cable diameter	7.5 mm ... 12.5 mm

Ambient conditions

Degree of protection for housing	IP54
Degree of protection for housing	IP65 (with sealing screw)
Ambient temperature (operation)	-40 °C ... 125 °C

General

Note	For contact inserts HC-D7, D8, A3, A4, B5, HS2-D7
Design	D7
Housing type	Coupling housings
Locking type	With single locking latch
No. of cable exits	1
Cable exit	Straight
Screw connection	With
Type of the screw connection	1x Pg11
Housing material	Zinc die-cast
Housing surface material	Powder-coated, gray
Cable gland material	Nickel-plated brass
Cable seal material	NBR
Material lock	Steel, galvanized

Housing - HC-D 7-KML-61/M1PG11 - 1773297

classifications

eCl@ss

eCl@ss 4.0	27140816
eCl@ss 4.1	27140816
eCl@ss 5.0	27143424
eCl@ss 5.1	27143424
eCl@ss 6.0	27143424
eCl@ss 7.0	27440209
eCl@ss 8.0	27440209

ETIM

ETIM 2.0	EC000437
ETIM 3.0	EC000437
ETIM 4.0	EC000437
ETIM 5.0	EC000437

UNSPSC

UNSPSC 6.01	31261502
UNSPSC 7.0901	31261502
UNSPSC 11	31261502
UNSPSC 12.01	31261502
UNSPSC 13.2	31261502

approvals

GOST /

Approval details



accessories

Mounting material

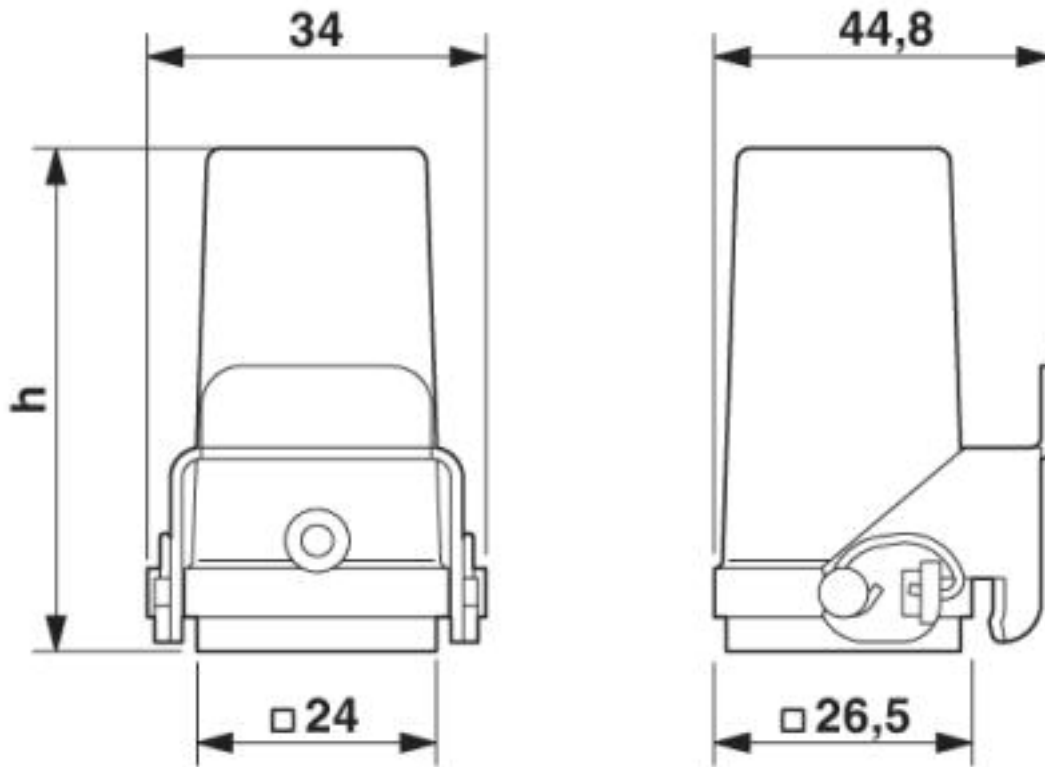
HC-D 7-DS-IP65 - 1686229



Drawings

Housing - HC-D 7-KML-61/M1PG11 - 1773297

Dimensioned drawing



© Phoenix Contact 2013 - all rights reserved
<http://www.phoenixcontact.com>