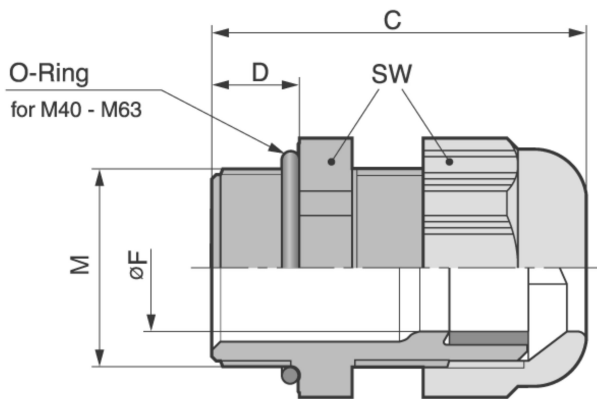
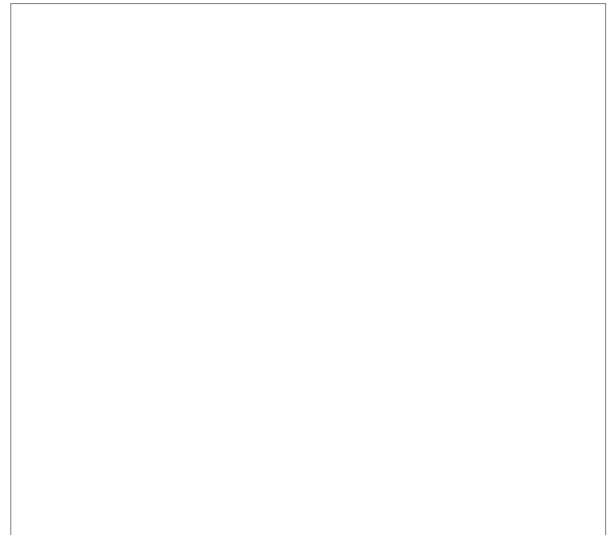
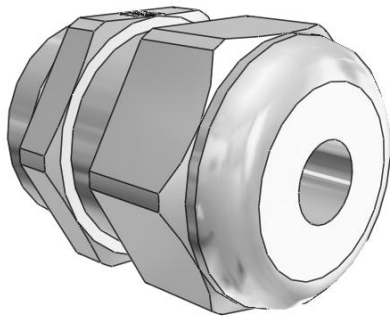


Product Description





Technical Data

ATN	53111440
M	M 32x1,5
FMIN	11
FMAX	21
F	11
SW	36
A	40.3
C	47
D	10
RAL7001	
RAL7035	X
RAL9005	
MATERIAL	Kunststoff