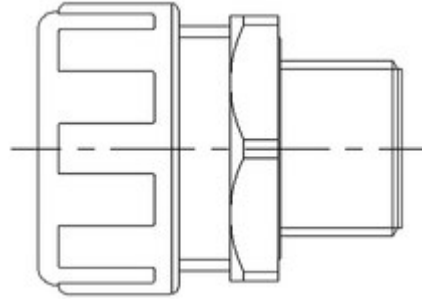
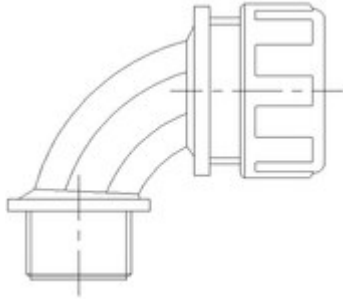


Product Description

Resistant to grease, cooling agents and oils, especially ASTM2 testing oil; Easy assembly of cables and wires; Bendable; Crush-resistant; A fully insulated system when used in combination with SILVYN® MPC/MPC-M



Application range

- Mechanical engineering
- Machine tools
- Vending machine construction
- Applications with strong chemical influences

Benefits

- Resistant to grease, cooling agents and oils, especially ASTM2 testing oil
- Easy assembly of cables and wires
- Bendable
- Crush-resistant
- A fully insulated system when used in combination with SILVYN® MPC/MPC-M

Design

- Integrated hard PVC spiral
- Special soft PVC sheath

Approvals

- UL FILE NUMBER E308201



Product features

- Oil-resistant
- Flexible
- Smooth inner wall
- Dimensionally stable

Technical Data

Colour delivered

Green (RAL 6001)

Temperature range

-20 °C to +70 °C

Material

Special soft PVC sheath with hard PVC spiral

Article List

Part number	Internal Ø x external Ø (mm)	Bending radius (mm)	Inner Ø (mm)	Suitable for SILVYN® MPC-M/MPC 90°M	Suitable for SILVYN® MPC	Suitable for SILVYN® MPC 90°	PU ring (m)
SILVYN® ELÖ							
61751610	10 x 14,7	20	10	12 x 1,5	9	9	30
61751620	12 x 16,6	25	12	16 x 1,5	11/13,5	11/13,5	30
61751630	16 x 20,7	30	16	20 x 1,5	13,5/16	13,5/16	30
61751640	22 x 27,7	40	22	25 x 1,5	21	21	30
61751650	25 x 30,6	45	25	32 x 1,5	21	21	30
61751660	28 x 33,5	50	28	32 x 1,5	29	29	30
61751670	35 x 41	60	35	40 x 1,5	36	36	30
61751680	40 x 46,4	70	40	50 x 1,5	42		30
61751690	50 x 57,2	85	50	63 x 1,5	48		30

Footnote:

Photographs are not to scale and do not represent detailed images of the respective products.