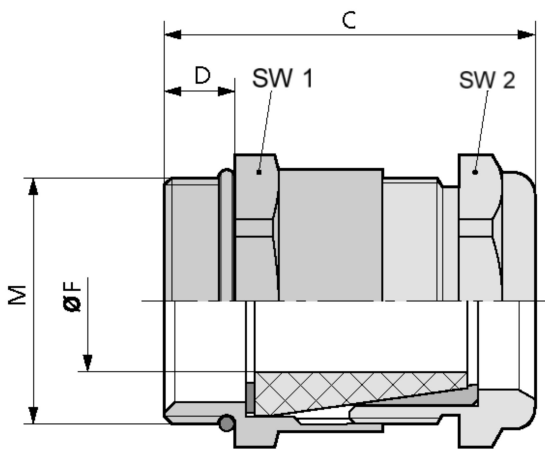
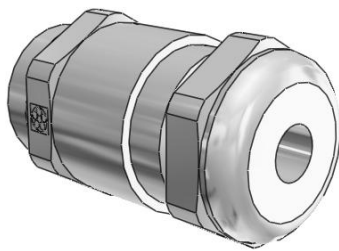


Product Description





Technical Data

ATN	52105270
M	M 12x1,5
FMIN	4
FMAX	4.8
F	4
SW1	14
A1	15.5
SW2	14
A2	15.5
C	26
D	5
MATERIAL	Messing vernickelt