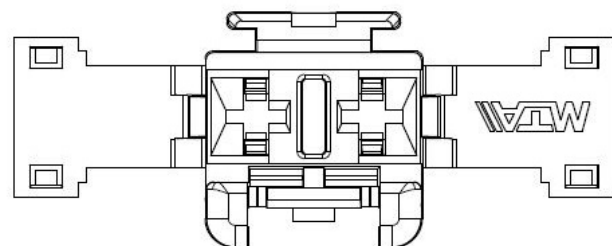
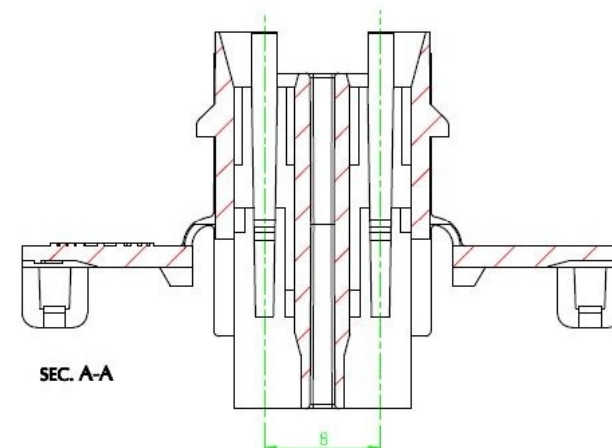
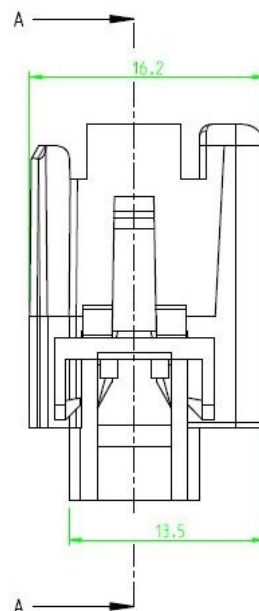
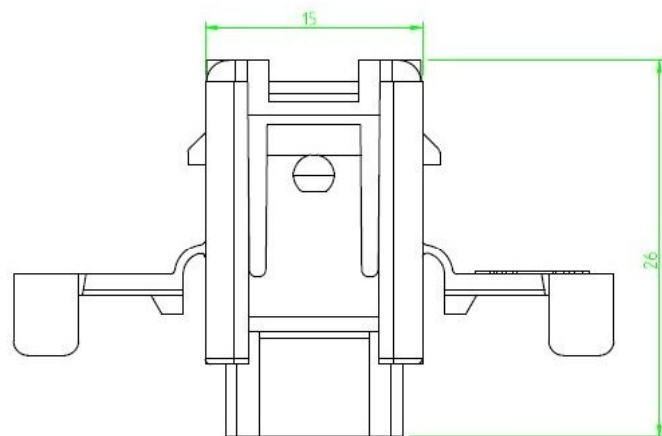
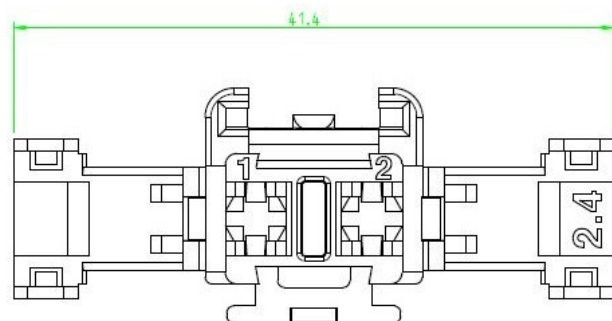


UNCONTROLLED COPY
 in case of drawing updating/revision
 NO AUTOMATIC
 resubmission will follow

OPERATING FEATURES		
FEATURES	UNIT	VALUE
V max	V	32
T. min - T. max	°C	-40 / +120
I max	A	30
IP	IEC 529	30
Flammability	UL 94	V2



1	ADDITION OF SLOT IDENTIFICATION	M.VIGNATI	27.04.00
REV	DESCRIPTION	NAME	DATE

		MTA P/N	0101400		Denom.		MINIVAL FUSE HOLDER	
		Draw No.	BO-100.E03A		Used for		MINIVAL	
Rel. Level	Approved	Draw for	CLIENT		Relevant Standard		-	
	Date	Name	Scale	Weight(g)	Lin.Tol.±	Ang.Tol.±	Material PA 66	
Draft.	09.03.95	G.C INQUETTI	3:1	3.2	0.5	-	Coating -	
Chk	28.06.06	G.C INQUETTI	A3		Dimensions in (mm)	Sheet 1/1	Color BLACK	
PQApp	30.06.06	R.GONZALEZ						
App.	30.06.06	M.CORBANI						

2	DRAWING UPDATED							
No.	Reason for Revision						3.0	