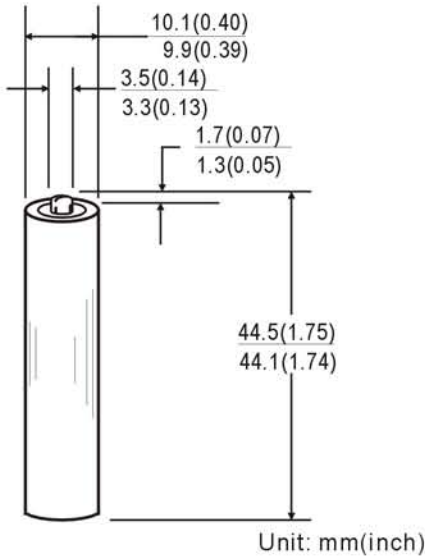


SUPER HEAVY DUTY BATTERY

R03P



Chemical System : Zinc -Manganese Dioxide
(Zinc Chloride Electrolyte)

CONRAD Art. Number : 650034, 650010

IEC No. : R03P

ANSI/NEDA No. : 24D (AAA)

Average Weight : 7.5g

Dimension(∅ x H) : 10.0^{±0.1} x 44.3^{±0.2} mm

0.39^{±0.004} x 1.75^{±0.008} inch

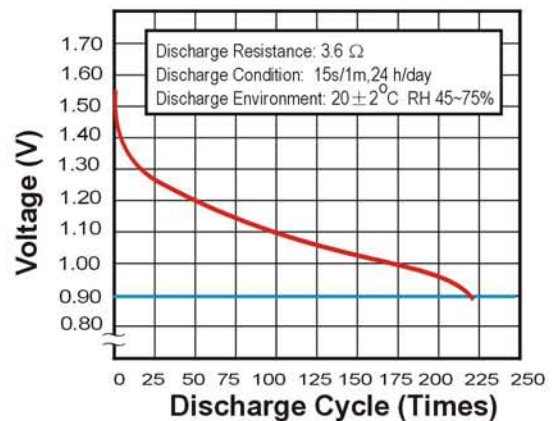
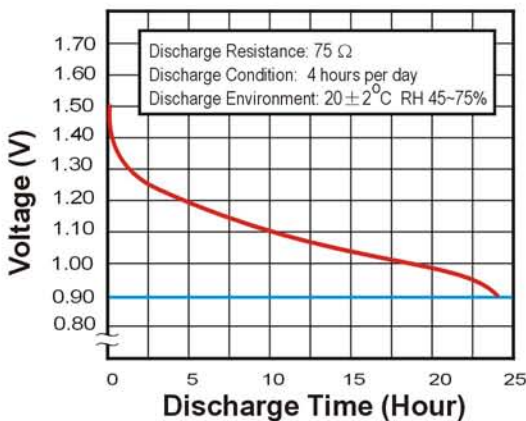
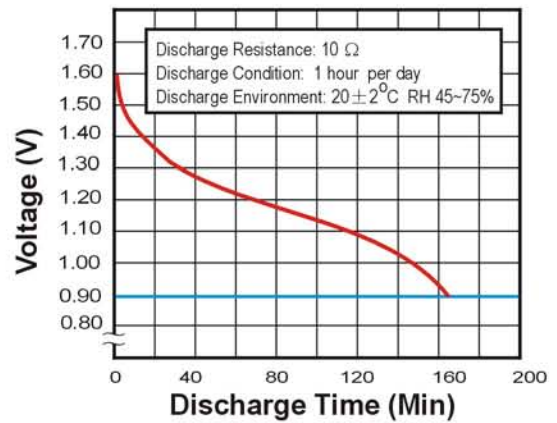
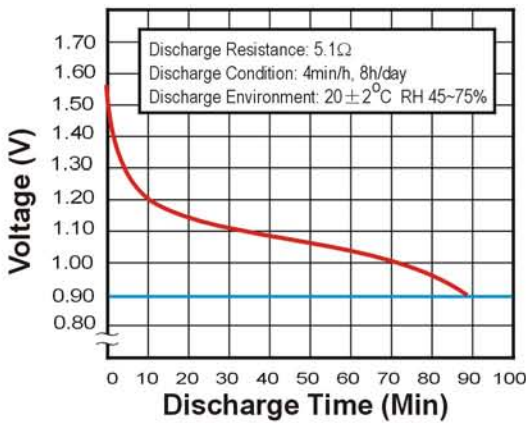
Terminals : Flat

Nominal Voltage : 1.5Volts

Average Capacity : 550mAh to 0.8 volts

(At 20±2°C, Rated capacity at 25 mA continuous drain)

Jacket : PVC



Notice:

Environmental elements comply with RoHS requirements. This information is subject to change without prior notice and for reference only. It should not be used as a basis for a product guarantee or warranty. For additional information, please consult your nearest CONRAD Sales Office or Distributor or visit our website