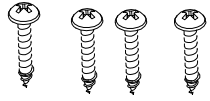
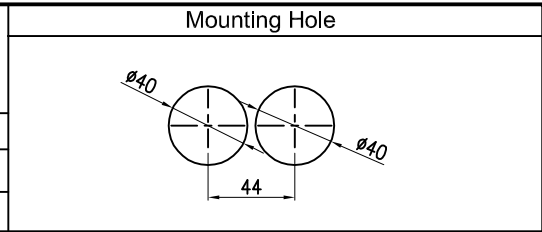
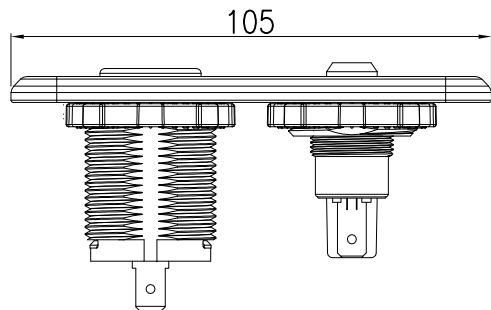
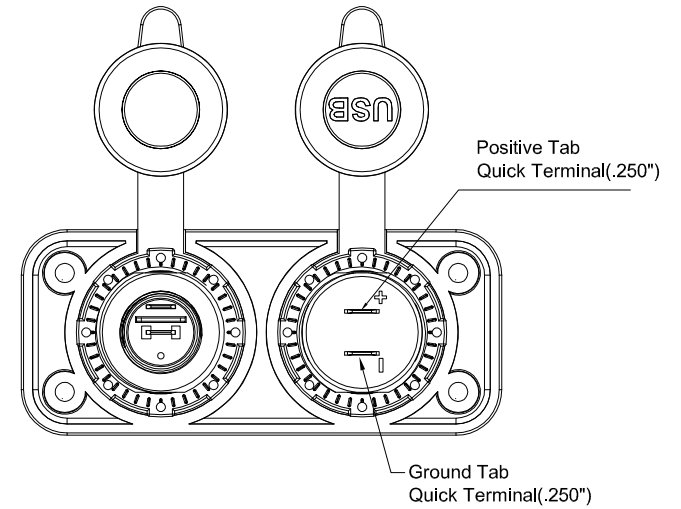
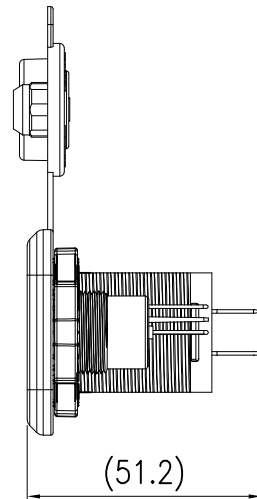
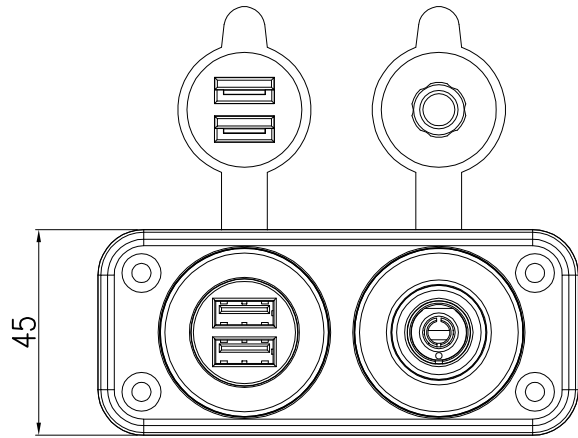


Rating	Input:12V/24 DC Output:USB Socket - 5V 2.1A max. Auto Sockets - 20A max.
Insulation Resistance	DC 500V 100MΩ Min.
Dielectric Strength	AC 1500V 1 minute
Operating Temperature	-0℃ ~60℃



Screw in Bulk
 $\phi 4 \times L14$



1.Tolerances ± 0.3 Unless Otherwise Specified

				Drawn	Checked	Approved	SCI BOM No.		Model Name	Double socket	
			\triangle	邱 權			Customer No.		Model No.	A13-144D194B1PD-BB3	Rev.
Date	Name	Description	No.	02/02/13			Unit	mm			X0