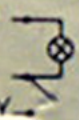


EARTH

LOAD

SUPPLY

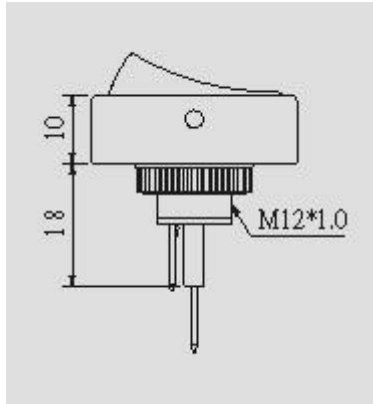


R13-133

DC 12V 30A

R13-133

E67774 LR45128



30A 12V DC

Ø 12.2

4 mm max

How to Order?

