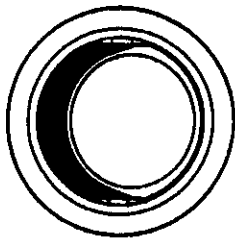
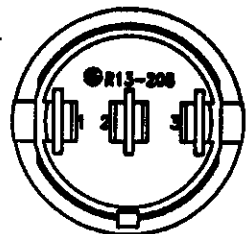
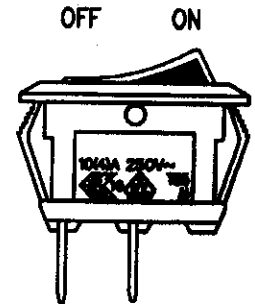
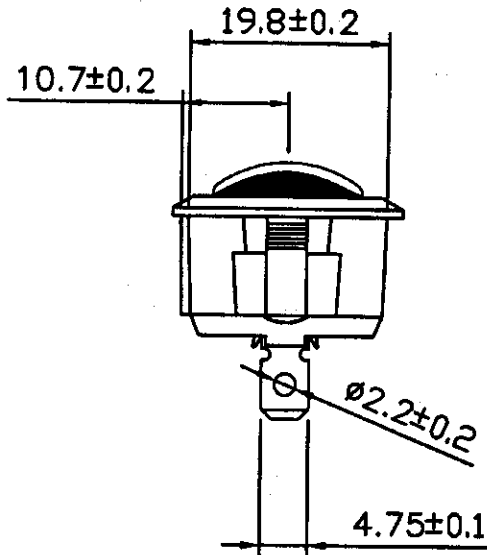
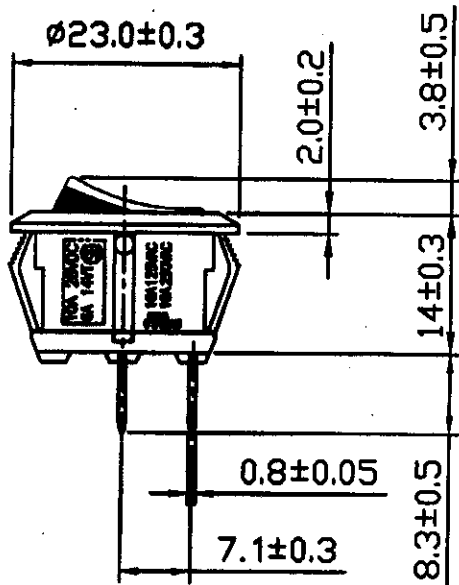


Rating	10(4)A 250V~	Mounting Hole
	16A 125V AC	
	10A 250V AC	
	10A 28VDC	
Contact Resistance	50m ohm Max.	
Insulation Resistance	DC 500V 100M ohm Min.	
Dielectric Strength	AC 1500V 1 minute	
Operation Temperature	-20°~85°	
Switch Function	2P SPST ON-OFF	



*Material
 Frame: Nylon#66,Black
 Actuator: Nylon#66,Black and Red
 Terminal: Copper alloy, Silver plated

Diagram



Date	Name	Description					△
Drawn	Checked	Approved	SCI No.	1821313	Model Name	ROCKER SWITCH	
NO	NO		Customer No.		Model No.	R13-208A2-02	
8/23/'07	NO		Unit	mm	SHIN CHIN INDUSTRIAL CO., LTD.		