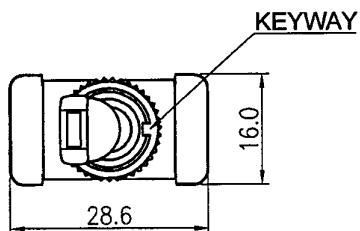
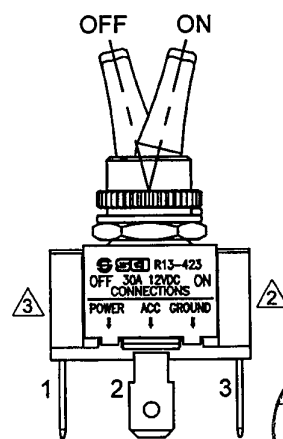
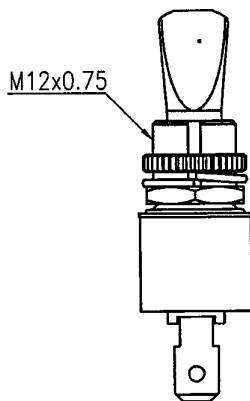
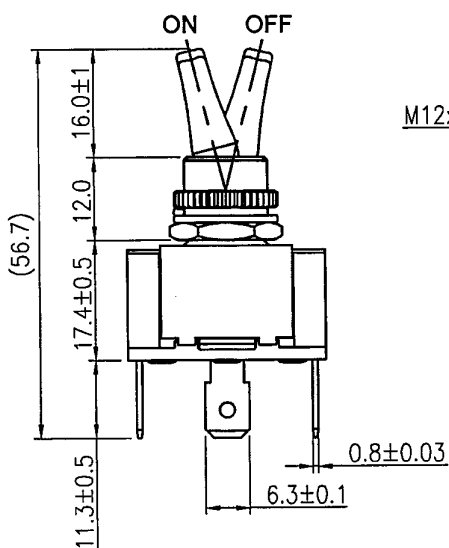


Rating	30A 12V DC		Circuit Diagram	
Contact Resistance	50m ohm Max.		OFF	
Insulation Resistance	DC 500V 100M ohm Min.		ON	
Dielectric Strength	AC 1500V 1 minute			
Operation Temperature	-20°C~85°C			
Switch Function	3P SPST ON-OFF (LED dependent)			



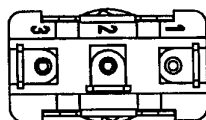
- 1 HEX NUT ASSY
- 1 SPRING WASHER ASSY
- 1 KNURL NUT ASSY



原稿
2014.8.29
研發部

Tolerances ±0.3 Unless Otherwise Specified

SCI BOM NO.	LED Color	SCI BOM NO.	LED Color
1811281	White	1811497	Misty Blue
1810715	Red	1810722	Green
1811016	Red	1811017	Green
1810721	Yellow	1811236	Blue
1811282	Yellow	1811179	Blue



07/30/'14	黃洋	依GM指示,標籤貼紙改為模具刻字			⚠
08/08/'12	柳新強	增加SCI LOGO			⚠
06/26/'06	徐州迎	更正標籤貼紙			⚠
Date	Name	Description			No.
Drawn	Checked	Approved	SCI BOM No.	See Table	Model Name TOGGLE SWITCH
黃洋			Customer No.		Model No. R13-423L1-01-HWR
07/30/'14	8/1-'14	8/1-'14	Unit	mm	Rev. 3