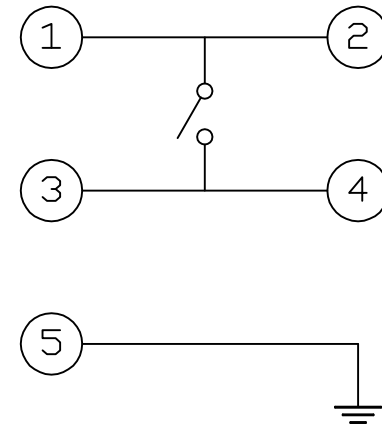
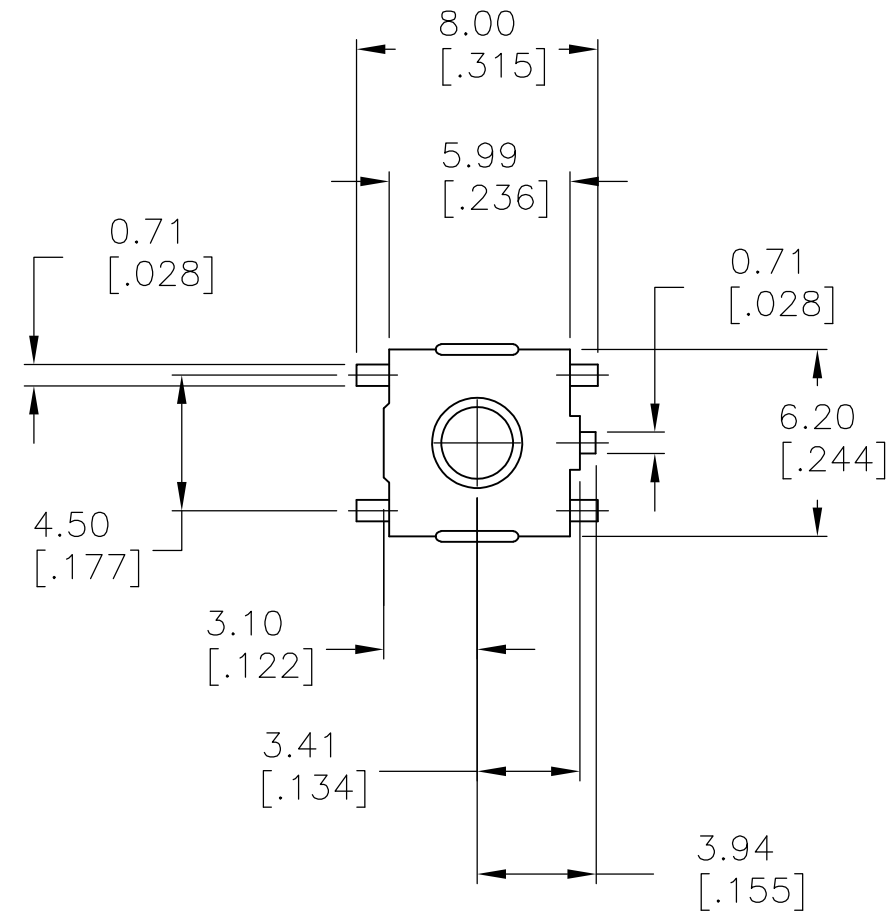
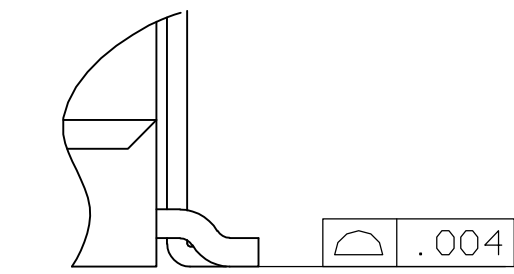
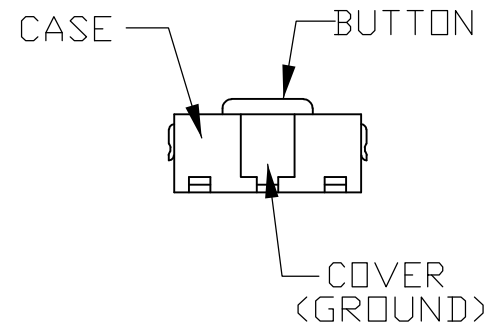
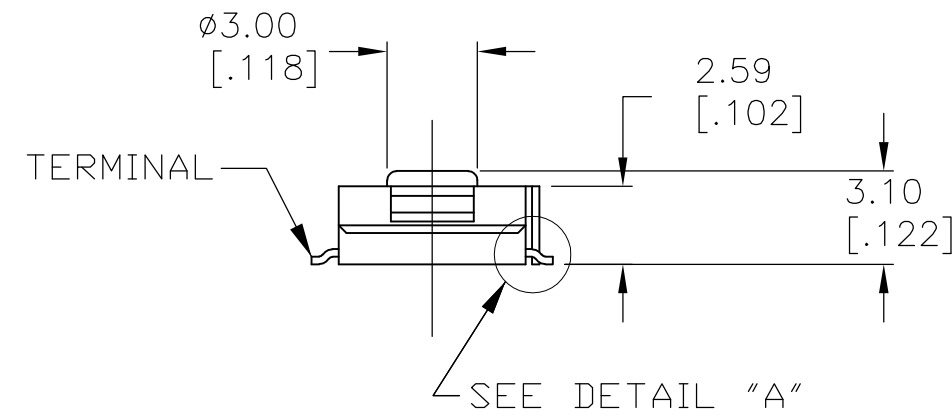


THIS DRAWING IS UNPUBLISHED. RELEASED FOR PUBLICATION
 © COPYRIGHT BY TYCO ELECTRONICS CORPORATION. ALL RIGHTS RESERVED.

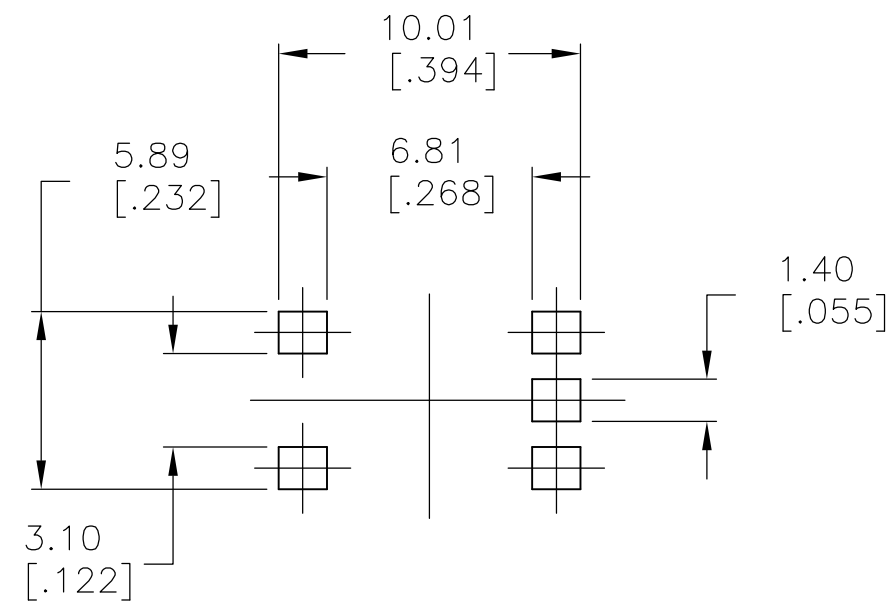
LOC		DIST		REVISIONS			
P	LTR	DESCRIPTION		DATE	DWN	APVD	
A		ECO-07-026946		24JAN08	MB	MS	



CIRCUIT DIAGRAM



DETAIL "A"
SCALE 15:1



P.C.B. FOOTPRINT

Specifications:

Materials:

CASE, NYLON 46 UL94 V-0, IVORY
 ACTUATOR, NYLON PA6T UL94V-0, SEE P/N TABLE FOR FINISH
 COVER, COPPER ALLOY, TIN FINISH
 TERMINAL/FIXED CONTACT, COPPER ALLOY-SILVER FINISH
 MOVING CONTACT, STAINLESS STEEL-SILVER FINISH

ELECTRICAL:

MAX CONTACT RATING, 50MILLIAMPS@24V DC
 MIN CONTACT RATING, 1MICROAMP@1V DC
 CONTACT RESISTANCE, 100 MILLIOHMS MAX
 INSULATION RESISTANCE, 100 MEGOHM MIN.
 DIELECTRIC STRENGTH, 500 V AC FOR 1 MINUTE
 LIFE EXPECTANCY, 1,000,000 CYCLES

MECHANICAL:

ACTUATION FORCE, SEE P/N TABLE
 ACTUATION TRAVEL, 0.25 +0.20/-0.10
 LIFE EXPECTANCY, 1,000,000, (2 CYCLES PER SECOND AND 150% ACTUATION FORCE)

ENVIRONMENTAL:

OPERATING TEMPERATURE, -40 TO +105° C
 STORAGE TEMPERATURE, -40 TO +105° C
 SOLDERABILITY, EIA-RS-186-9E, OR MIL-STD-202F
 RESISTANCE TO SOLDER HEAT, 260° C FOR 10SEC-PER 109-201, CONDITION B
 1. NO CHANGE IN INITIAL ELECTRICAL AND MECHANICAL CHARACTERISTICS

Notes:

- ALL MATERIALS AND FINISHES SHALL COMPLY WITH EU DIRECTIVE 2002/95/EC OF 27JAN2003 (ROHS)
- TAPE AND REEL PACKAGING PER EIA-481

1,000,000	PINK	260 +/-50g	12 MM	16 MM	FSM1LPASTR	1977263-4
1,000,000	PINK	260 +/-50g			FSM1LPAS	1977263-3
1,000,000	GREEN	160 +/-50g	12 MM	16 MM	FSM1LPSTR	1977263-2
1,000,000	GREEN	160 +/-50g			FSM1LPS	1977263-1
Life Cycle	Actuator Color	Actuation Force	PITCH	TAPE WIDTH	T&B P/N	TE P/N

THIS DRAWING IS A CONTROLLED DOCUMENT.		DWN M. BINNER 24JAN08	Tyco Electronics Corporation Harrisburg, PA 17105-3608			
DIMENSIONS: mm [INCHES]		CHK M. SARVER 24JAN08	NAME TACTILE SWITCH FSM1LP			
TOLERANCES UNLESS OTHERWISE SPECIFIED:		APVD M. SARVER 24JAN08	RESTRICTED TO			
0 PLC ± -		PRODUCT SPEC	SIZE	CAGE CODE	DRAWING NO	
1 PLC ± -		APPLICATION SPEC	A2	00779	C=1977263	
2 PLC ± 0.30[.012]			SCALE	SHEET	REV	
3 PLC ± -		WEIGHT	4:1	1 of 1	A	
4 PLC ± -			CUSTOMER DRAWING			
ANGLES ± -						
FINISH						