

# Solid-state relays - ST-OV3- 24DC/ 24DC/2 - 2905190

Please be informed that the data shown in this PDF Document is generated from our Online Catalog. Please find the complete data in the user's documentation. Our General Terms of Use for Downloads are valid (<http://download.phoenixcontact.com>)



Plug-in power solid-state relay, with LED and protective circuit in input and output circuits, input: 24 V DC, output: short-circuit-proof, 10 - 30 V DC/max. 2 A, can be plugged into basic terminal blocks

The illustration shows version ST-OV 3- 5 DC/24 DC/2

## Key commercial data

package_quantity	10
GTIN	4017918079338

## Technical data

Note:

Utilization restriction	EMC: class A product, see manufacturer's declaration in the download area
-------------------------	---------------------------------------------------------------------------

## Dimensions

Width	20.8 mm
Height	33 mm
Depth	66.5 mm

## Ambient conditions

Ambient temperature (operation)	-20 °C ... 60 °C
Ambient temperature (storage/transport)	-20 °C ... 70 °C

## Input data

Nominal input voltage $U_N$	24 V DC $\pm 20\%$
Switching threshold "0" signal, voltage	$\leq 6.9$ V
Switching threshold "1" signal voltage	$\geq 8.5$ V
Typical input current at $U_N$	5 mA
Typical response time	17 $\mu$ s
Typical turn-off time	104 $\mu$ s
Status display	Yellow LED
Type of protection	Protection against polarity reversal
Type of protection	Surge protection
Protective circuit/component	Polarity protection diode
Transmission frequency	1000 Hz

## Output data

## Solid-state relays - ST-OV3- 24DC/ 24DC/2 - 2905190

### Technical data

#### Output data

<b>Output voltage range</b>	10 V DC ... 30 V DC
<b>Limiting continuous current</b>	2 A (see derating curve)
<b>Peak offstate voltage</b>	35 V DC (Collector-emitter reverse voltage)
<b>Voltage drop at max. limiting continuous current</b>	1.5 V
<b>Output circuit</b>	3-conductor, ground-referenced
<b>Status display</b>	LED red
<b>Type of protection</b>	Protection against polarity reversal
<b>Type of protection</b>	Free running
<b>Protective circuit/component</b>	Polarity protection diode
<b>Protective circuit/component</b>	Damping diode

#### General

<b>Test voltage input/output</b>	2.5 kV AC
<b>Mounting position</b>	Any
<b>Standards/regulations</b>	DIN VDE 0110

### classifications

#### eCl@ss

<b>eCl@ss 4.0</b>	27371102
<b>eCl@ss 4.1</b>	27371102
<b>eCl@ss 5.0</b>	27371001
<b>eCl@ss 5.1</b>	27371001
<b>eCl@ss 6.0</b>	27371001
<b>eCl@ss 7.0</b>	27371001
<b>eCl@ss 8.0</b>	27371001

#### ETIM

<b>ETIM 2.0</b>	EC001504
<b>ETIM 3.0</b>	EC001504
<b>ETIM 4.0</b>	EC001504
<b>ETIM 5.0</b>	EC001504

#### UNSPSC

<b>UNSPSC 6.01</b>	30211916
<b>UNSPSC 7.0901</b>	39121542
<b>UNSPSC 11</b>	39121542
<b>UNSPSC 12.01</b>	39121542
<b>UNSPSC 13.2</b>	39121542

### approvals

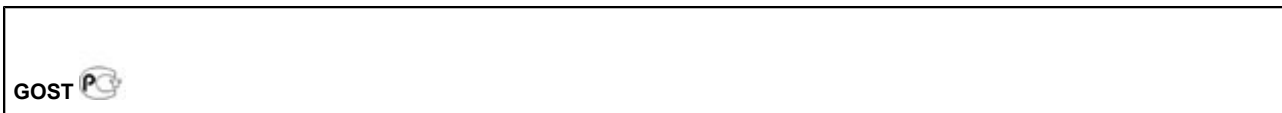
---

GOST / GOST /

# Solid-state relays - ST-OV3- 24DC/ 24DC/2 - 2905190

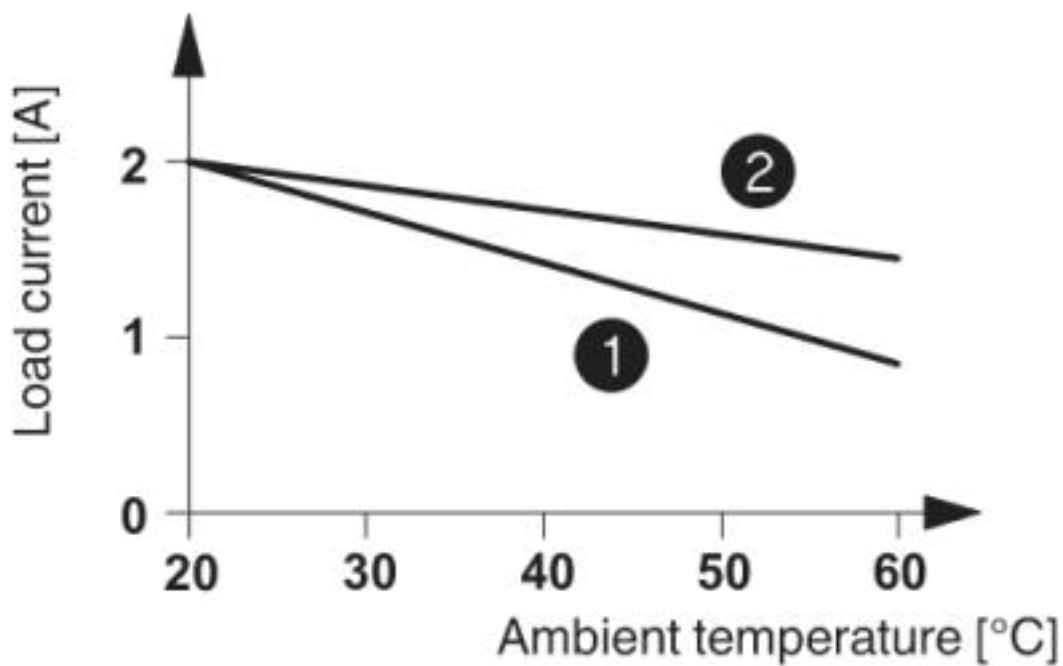
approvals

Approval details



Drawings

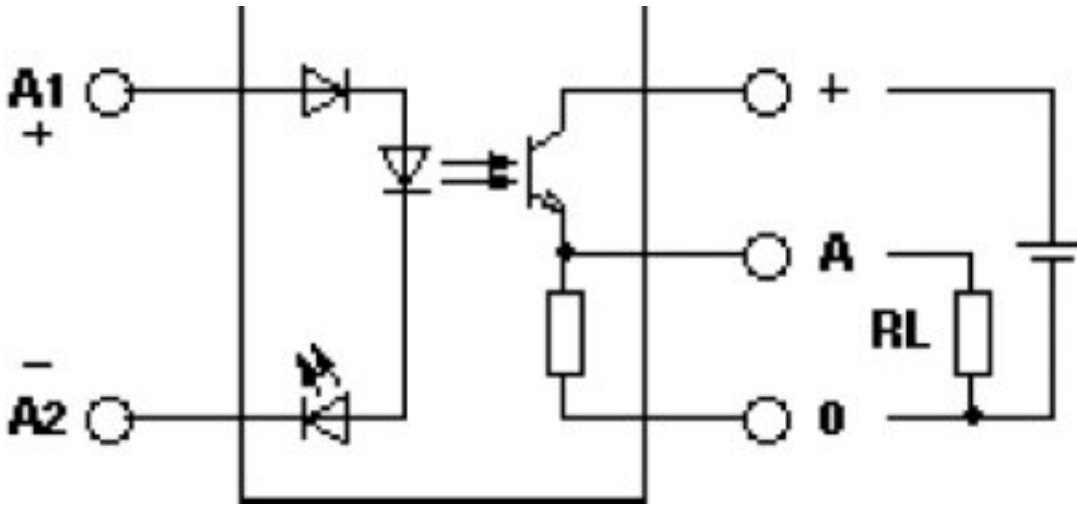
Diagram



- 1 In rows with zero spacing
- 2 stand-alone device

# Solid-state relays - ST-OV3- 24DC/ 24DC/2 - 2905190

Circuit diagram



Circuit diagram

