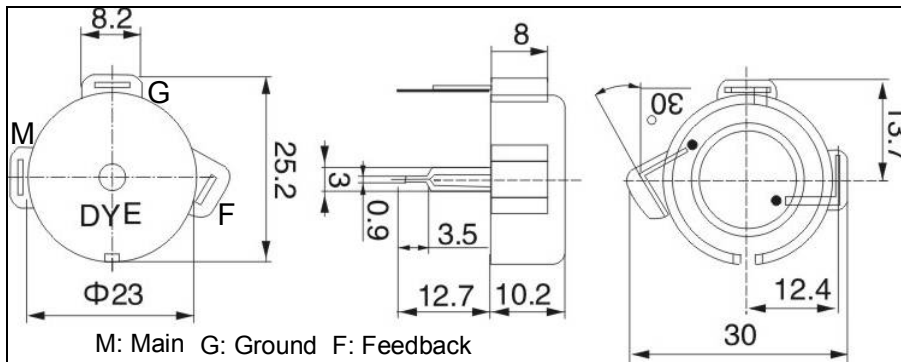


Technical datasheet: KPT-G2328BP-K6242

Specifications:

Operating Temperature	-20°C to +60°C
Storage Temperature	-30°C to +70°C
Rated Voltage	9Vp-p Square Wave
Max Allowable Voltage	30Vp-p Square Wave
Min SPL	92dB at 9Vp-p/2.0kHz/10cm
Capacitance at 100HZ	25000PF±30%PF
Weight	3.0g
Case Material/Color	ABS/Black
Tone Nature	Continues

Dimensions:



Frequency Response:

