

Housing - HC-B 16-SMQ-67/O1M25 - 1604788

Please be informed that the data shown in this PDF Document is generated from our Online Catalog. Please find the complete data in the user's documentation. Our General Terms of Use for Downloads are valid (<http://download.phoenixcontact.com>)



HEAVYCON box mounting base B16, with double locking latch, height 67 mm, with support 1xM25

Key commercial data

package_quantity	10
GTIN	4017918881481

Technical data

Dimensions

Height	67 mm
Width	57 mm
Length	117 mm

Ambient conditions

Degree of protection for housing	IP65
Ambient temperature (operation)	-40 °C ... 125 °C

General

Note	For contact inserts HC-B16, BB32, D40, DD72, HS6, M, K
Design	B16
Housing type	Box mounting bases
Locking type	With double locking latch
No. of cable exits	1
Cable exit	Lateral
Screw connection	None
Type of the screw connection	1x M25
Housing material	Aluminum die-cast
Housing surface material	Powder-coated, gray
Seal material	NBR
Material lock	Stainless steel, handle: PA
Material grip body interlock	PA
Assembly instructions	For half and full screw connections

Housing - HC-B 16-SMQ-67/O1M25 - 1604788

classifications

eCl@ss

eCl@ss 4.0	27140816
eCl@ss 4.1	27140816
eCl@ss 5.0	27143424
eCl@ss 5.1	27143424
eCl@ss 6.0	27143424
eCl@ss 7.0	27440209
eCl@ss 8.0	27440209

ETIM

ETIM 2.0	EC000437
ETIM 3.0	EC000437
ETIM 4.0	EC000437
ETIM 5.0	EC000437

UNSPSC

UNSPSC 6.01	31261502
UNSPSC 7.0901	31261502
UNSPSC 11	31261502
UNSPSC 12.01	31261502
UNSPSC 13.2	31261502

approvals

GOST /

Approval details



accessories

Full screw connection

HC-K-KV-M25(11-17) - 1690639



Housing - HC-B 16-SMQ-67/O1M25 - 1604788

accessories

HC-M-KV-M25(11-16) - 1690574



HC-M-KV-M25(14-21) - 1646007



HC-M-KV-M25(1ASI) - 1584020



Multiple screw connection

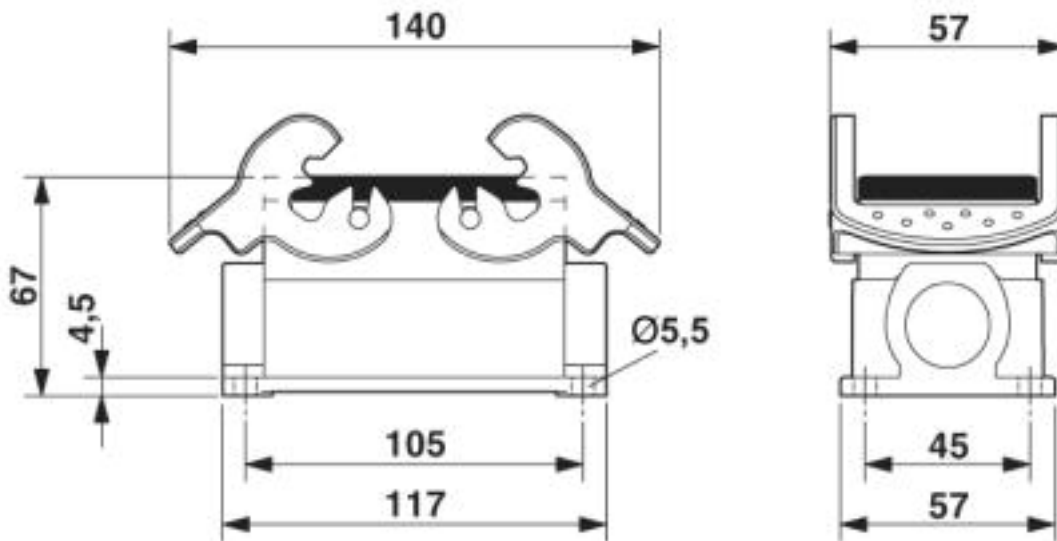
HC-M-KV-M25(1X10/1X11) - 1580228



Drawings

Housing - HC-B 16-SMQ-67/O1M25 - 1604788

Dimensioned drawing



© Phoenix Contact 2013 - all rights reserved
<http://www.phoenixcontact.com>