

Housing - HC-B 32-SMQ-72/M1PG29 - 1775703

Please be informed that the data shown in this PDF Document is generated from our Online Catalog. Please find the complete data in the user's documentation. Our General Terms of Use for Downloads are valid (<http://download.phoenixcontact.com>)



Box mounting base, with double locking latch, height 72 mm, with screw connection, 1x Pg29

Key commercial data

package_quantity	10
GTIN	4017918038274

Technical data

Dimensions

Height	72 mm
Width	81.5 mm
Length	124 mm
Wrench size, union nut	37 mm
External cable diameter	18 mm ... 27 mm

Ambient conditions

Degree of protection for housing	IP65
Ambient temperature (operation)	-40 °C ... 125 °C

General

Note	For contact inserts HC-B32, DD144, M
Design	B32
Housing type	Box mounting bases
Locking type	With double locking latch
No. of cable exits	1
Cable exit	Lateral
Screw connection	With
Type of the screw connection	1x Pg29
Housing material	Aluminum die-cast
Housing surface material	Powder-coated, gray
Seal material	NBR
Cable gland material	Nickel-plated brass
Cable seal material	NBR
Material lock	Steel, galvanized

Housing - HC-B 32-SMQ-72/M1PG29 - 1775703

classifications

eCl@ss

eCl@ss 4.0	27140816
eCl@ss 4.1	27140816
eCl@ss 5.0	27143424
eCl@ss 5.1	27143424
eCl@ss 6.0	27143424
eCl@ss 7.0	27440209
eCl@ss 8.0	27440209

ETIM

ETIM 2.0	EC000437
ETIM 3.0	EC000437
ETIM 4.0	EC000437
ETIM 5.0	EC000437

UNSPSC

UNSPSC 6.01	31261502
UNSPSC 7.0901	31261502
UNSPSC 11	31261502
UNSPSC 12.01	31261502
UNSPSC 13.2	31261502

approvals

GOST /

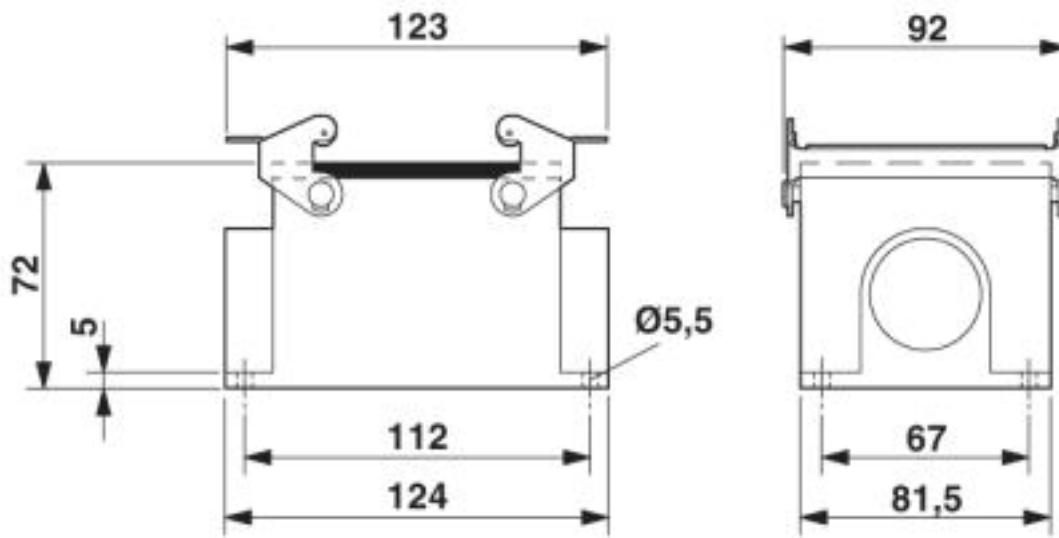
Approval details

--

Drawings

Housing - HC-B 32-SMQ-72/M1PG29 - 1775703

Dimensioned drawing



Dimensional drawing

© Phoenix Contact 2013 - all rights reserved
<http://www.phoenixcontact.com>