

Housing - HC-B 10-SMLD-52/O1PG16 - 1673465

Please be informed that the data shown in this PDF Document is generated from our Online Catalog. Please find the complete data in the user's documentation. Our General Terms of Use for Downloads are valid (<http://download.phoenixcontact.com>)



Box mounting base, with single locking latch, height 52 mm, without screw connection, 1x Pg16, with protective covers

Key commercial data

| | |
|-------------------------|---------------|
| package_quantity | 10 |
| GTIN | 4017918152239 |

Technical data

Dimensions

| | |
|---------------|-------|
| Height | 52 mm |
| Width | 52 mm |
| Length | 93 mm |

Ambient conditions

| | |
|---|-------------------|
| Degree of protection for housing | IP65 |
| Ambient temperature (operation) | -40 °C ... 125 °C |

General

| | |
|-------------------------------------|--|
| Note | For contact inserts HC-B10, BB18, DD42, M, K8/24 |
| Design | B10 |
| Housing type | Box mounting bases |
| Locking type | With single locking latch |
| No. of cable exits | 1 |
| Cable exit | Left (view of the opened single locking latch) |
| Screw connection | None |
| Type of the screw connection | 1x Pg16 |
| Protective cover | Yes |
| Housing material | Aluminum die-cast |
| Housing surface material | Powder-coated, gray |
| Seal material | NBR |
| Material lock | Stainless steel, handle: PA |
| Material grip body interlock | PA |
| Material, protective cover | PA |

Housing - HC-B 10-SMLD-52/O1PG16 - 1673465

classifications

eCl@ss

| | |
|------------|----------|
| eCl@ss 4.0 | 27140816 |
| eCl@ss 4.1 | 27140816 |
| eCl@ss 5.0 | 27143424 |
| eCl@ss 5.1 | 27143424 |
| eCl@ss 6.0 | 27143424 |
| eCl@ss 7.0 | 27440209 |
| eCl@ss 8.0 | 27440209 |

ETIM

| | |
|----------|----------|
| ETIM 2.0 | EC000437 |
| ETIM 3.0 | EC000437 |
| ETIM 4.0 | EC000437 |
| ETIM 5.0 | EC000437 |

UNSPSC

| | |
|---------------|----------|
| UNSPSC 6.01 | 31261502 |
| UNSPSC 7.0901 | 31261502 |
| UNSPSC 11 | 31261502 |
| UNSPSC 12.01 | 31261502 |
| UNSPSC 13.2 | 31261502 |

approvals

GOST /

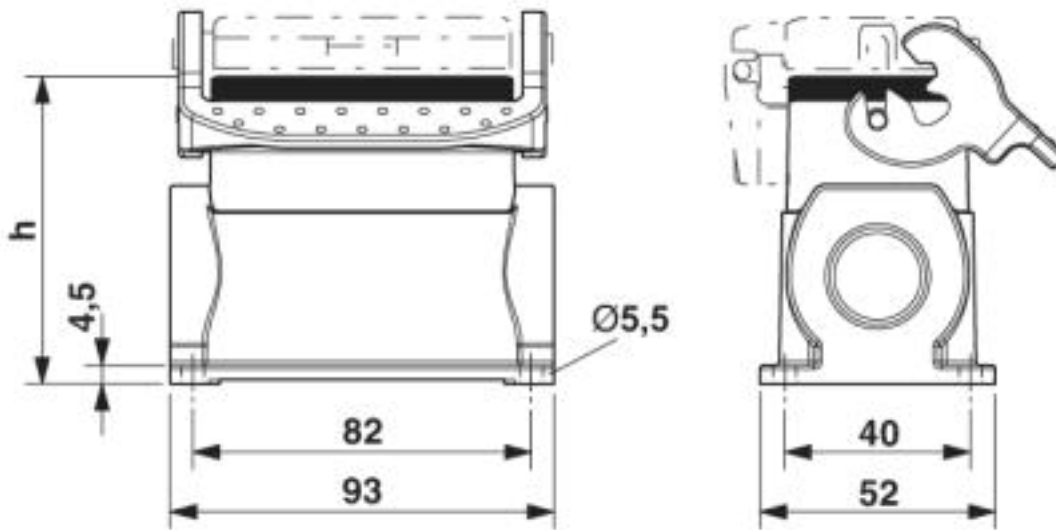
Approval details

| |
|---|
|  |
|---|

Drawings

Housing - HC-B 10-SMLD-52/O1PG16 - 1673465

Dimensioned drawing



Dimensional drawing; h = 52 mm

© Phoenix Contact 2013 - all rights reserved
<http://www.phoenixcontact.com>