

# Sensor/Actuator cable - SAC-3P- 3,0-PUR/A-1L-Z - 1434992

Please be informed that the data shown in this PDF Document is generated from our Online Catalog. Please find the complete data in the user's documentation. Our General Terms of Use for Downloads are valid (<http://download.phoenixcontact.com>)



Sensor/Actuator cable, 3-position, PUR halogen-free, Black-gray RAL 7021, Free cable end, on Valve connector A, with 1 LED, connected with Z diode, Cable length: 3 m

## Product Features

- Easy and safe: 100% electrically tested plug-in components
- Robust valve connector with Zener diode as protective circuit
- Convenient: increased machine availability thanks to quick and easy diagnostics
- Our standard: robust halogen-free PUR cable

## Key commercial data

package_quantity	1
GTIN	4046356413374

## Technical data

### Dimensions

Length of cable	3 m
-----------------	-----

### Ambient conditions

Ambient temperature (operation)	-20 °C ... 85 °C (valve plug)
Degree of protection	IP65
Degree of protection	IP67

### General

Rated current at 40°C	4 A
Rated voltage	24 V
Number of positions	3
Contact resistance	≤ 5 mΩ
Insulation resistance	≥ 100 MΩ
Standards/regulations	Valve connector EN 175301-803
Status display	1 LED
Protective circuit/component	Z diode
Surge voltage category	III
Pollution degree	3
Torque	0.6 Nm (Valve connector)

### Material

## Sensor/Actuator cable - SAC-3P- 3,0-PUR/A-1L-Z - 1434992

### Technical data

#### Material

Inflammability class according to UL 94	V0
Valve plug contact material	CuSn
Valve plug contact surface material	Sn
Valve plug contact insert material	PA 66
Material housing valve plug	TPU
Sealing material	TPU (Seal molded)

#### Cable

Cable type	PUR halogen-free black
Cable type (abbreviation)	PUR
Cable abbreviation	Li9Y11Y-HF
UL AWM style	20549
Conductor cross section	3x 0.5 mm <sup>2</sup>
AWG signal line	20
Conductor structure signal line	28x 0.15 mm
Core diameter including insulation	1.5 mm ±0.05 mm (signal line)
Wire colors	black 1, black 2, green/yellow
Overall twist	3 wires, twisted
External sheath, color	Black-gray RAL 7021
External cable diameter D	4.5 mm ± 0.2 mm
Smallest bending radius, fixed installation	22.5 mm
Number of bending cycles	15000000
Bending radius	50 mm
Traversing path	0.9 m
Traversing rate	5 m/s
Acceleration	30 m/s <sup>2</sup>
Outer sheath, material	PUR
Material conductor insulation	PP
Conductor material	Bare Cu litz wires
Insulation resistance	min. 20 MΩ*km
Conductor resistance	39 Ω/km (at 20 °C)
Nominal voltage, cable	≤ 300 V
Test voltage, cable	≥ 1200 V
Flame resistance	According to DIN VDE 0482
Flame resistance	According to DIN EN 50265-2-1
Halogen-free	in accordance with DIN VDE 0472 part 815
Other resistance	Largely oil-resistant
Other resistance	partly UV-resistant in accordance with DIN EN ISO 4892-2-A
Ambient temperature (operation)	-40 °C ... 80 °C (cable, fixed installation)
Ambient temperature (operation)	-20 °C ... 80 °C (cable, flexible installation)

# Sensor/Actuator cable - SAC-3P- 3,0-PUR/A-1L-Z - 1434992

## classifications

### eCl@ss

eCl@ss 4.0	27060306
eCl@ss 4.1	27060306
eCl@ss 5.0	27061801
eCl@ss 5.1	27061801
eCl@ss 6.0	27061801
eCl@ss 7.0	27061801
eCl@ss 8.0	27061801

### ETIM

ETIM 3.0	EC001855
ETIM 4.0	EC001855
ETIM 5.0	EC001855

### UNSPSC

UNSPSC 6.01	31251501
UNSPSC 7.0901	31251501
UNSPSC 11	31251501
UNSPSC 12.01	31251501
UNSPSC 13.2	31251501

## approvals

GOST /

### Approval details



## accessories

### Mounting material

SAC-V-SCREW-M3-29 KNURL - 1403779



### Torque tool

## Sensor/Actuator cable - SAC-3P- 3,0-PUR/A-1L-Z - 1434992

### accessories

TSD-M 1,2NM - 1212224



---

### Screwdriver tools

SF-BIT-PH 1-70 - 1212582



---

### Conductor marking

PABA WH/15 - 1013151



PABA YE/15 - 1013698



PABA RD/15 - 1013944



---

### Marker carrier cable

## Sensor/Actuator cable - SAC-3P- 3,0-PUR/A-1L-Z - 1434992

### accessories

PATG 2/15 - 1013038



---

PATG 3/15 - 1013041



---

PATG 4/15 - 1013054



---

### Marker pen

B-STIFT - 1051993



---

### Cutting tools

CUTFOX-S VDE - 1212207



---

### Stripping tool

## Sensor/Actuator cable - SAC-3P- 3,0-PUR/A-1L-Z - 1434992

accessories

WIREFOX SAC - 1212623



WIREFOX 10 - 1212150

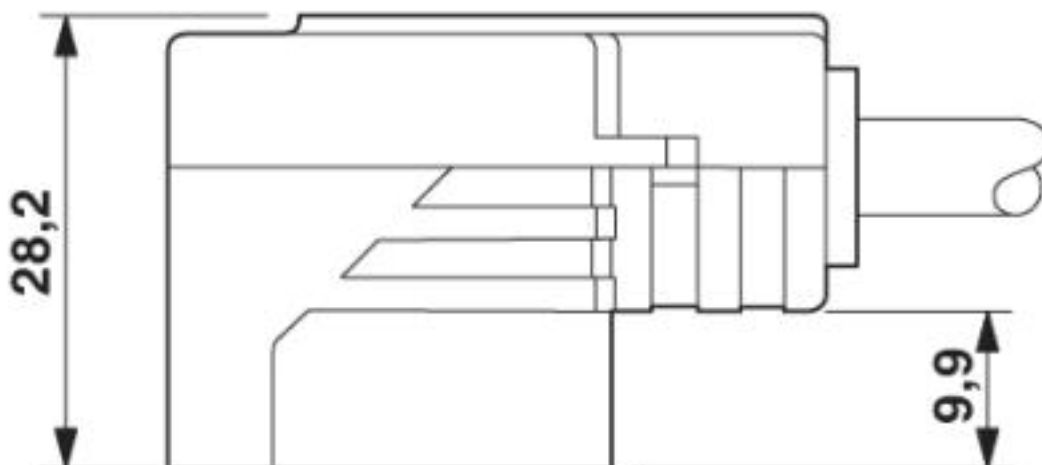


accessories

WIREFOX SAC-1 - 1212757

## Drawings

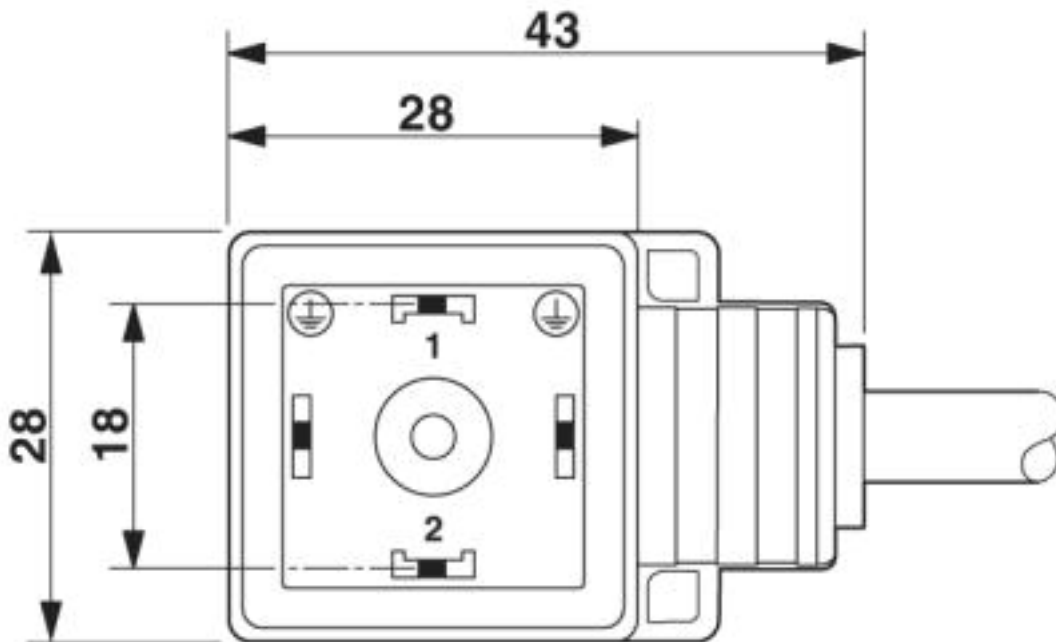
Dimensioned drawing



Valve connector, type A, side view

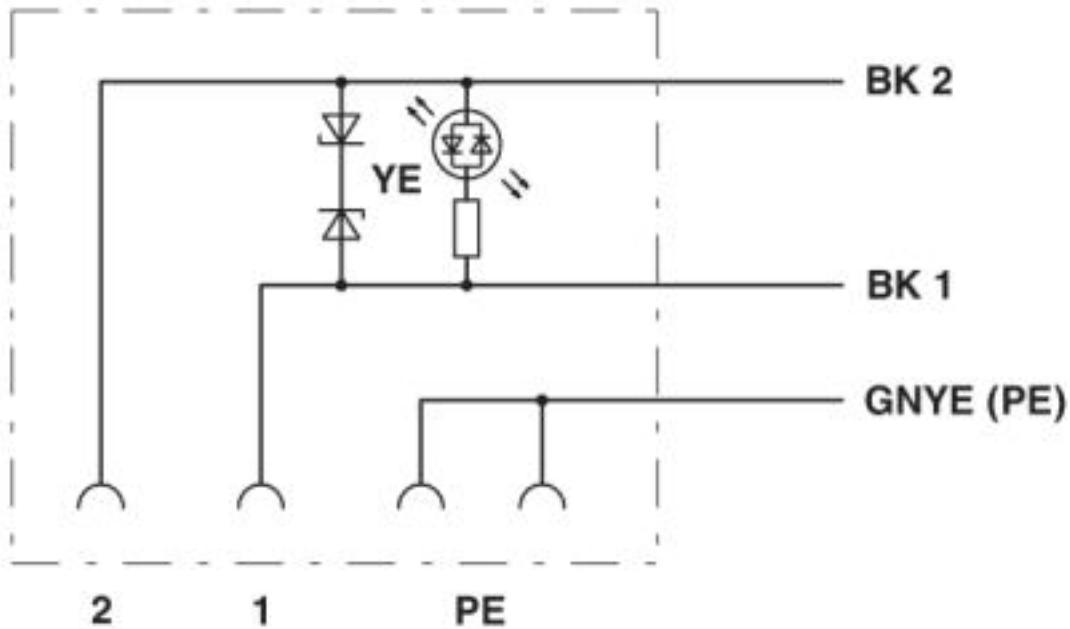
# Sensor/Actuator cable - SAC-3P- 3,0-PUR/A-1L-Z - 1434992

Dimensioned drawing



Valve connector, type A

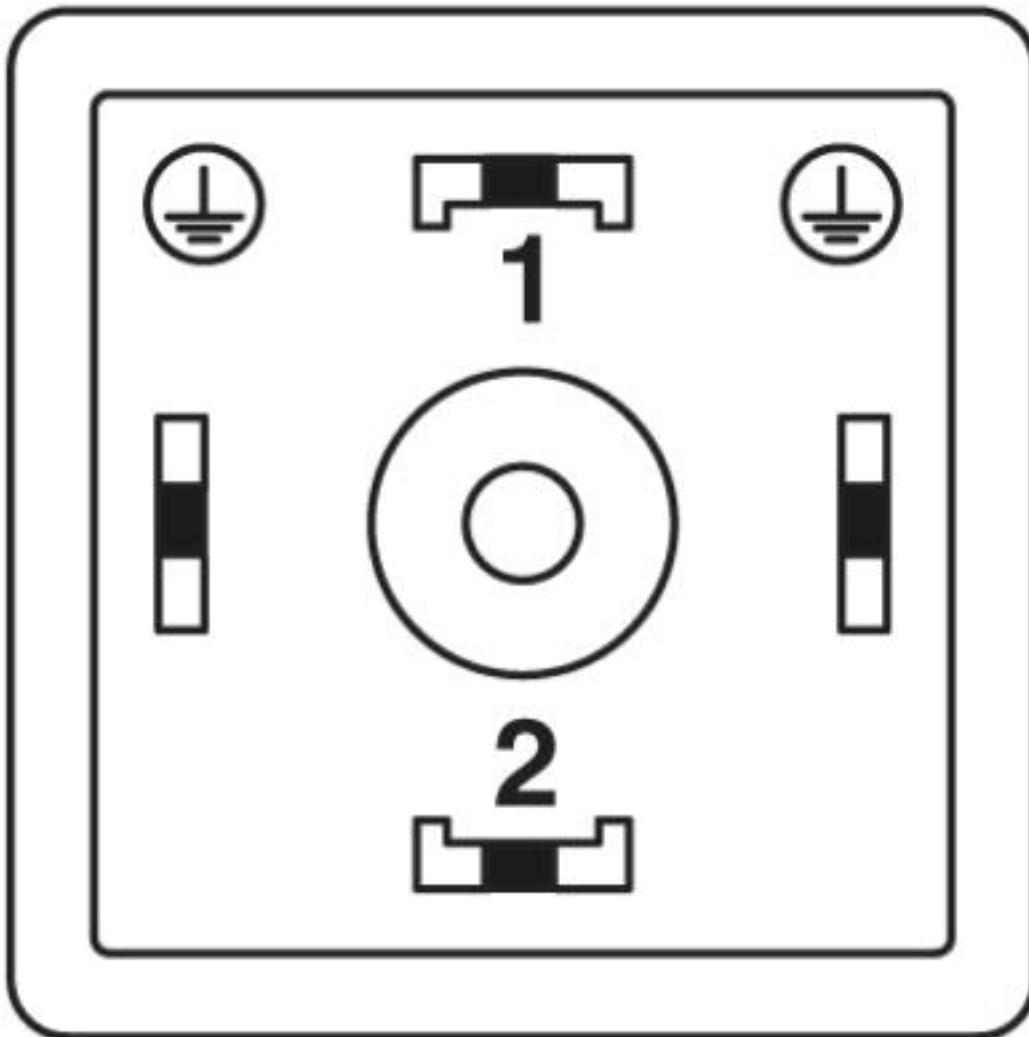
Circuit diagram



Contact assignment of the valve plug

# Sensor/Actuator cable - SAC-3P- 3,0-PUR/A-1L-Z - 1434992

Schematic diagram

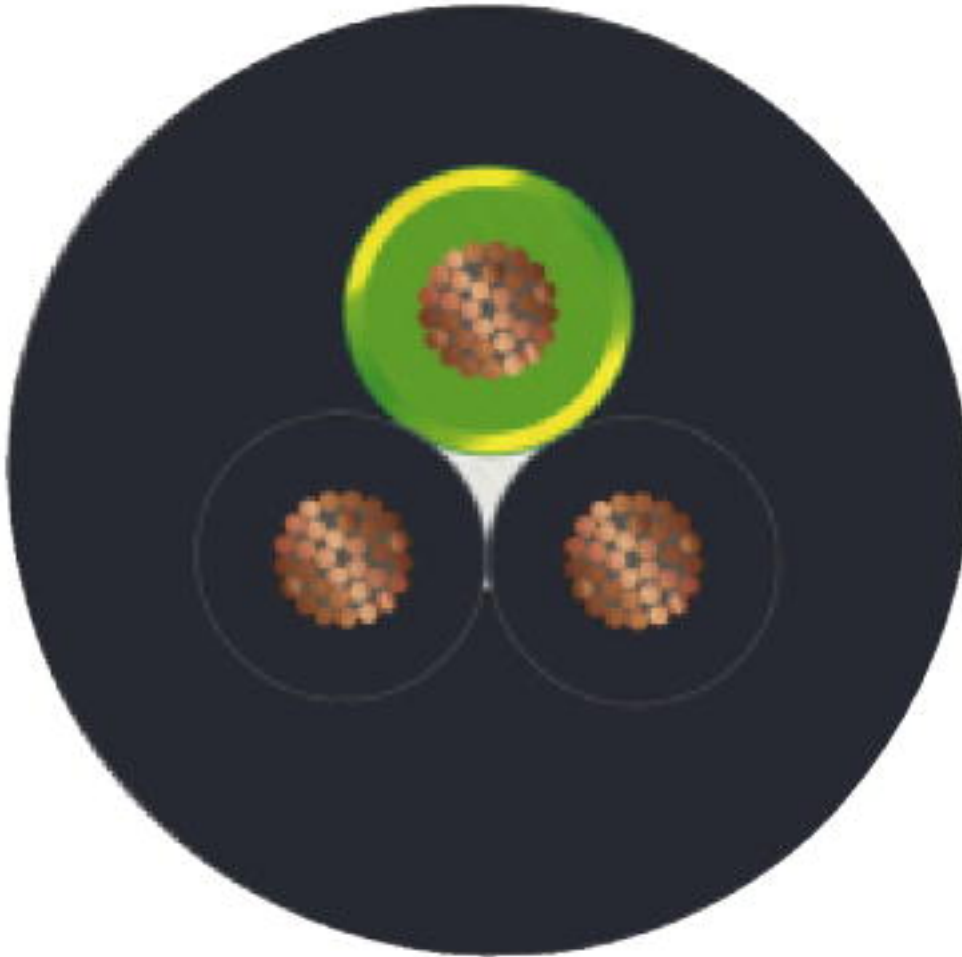


Valve connector pin assignment, type A



## Sensor/Actuator cable - SAC-3P- 3,0-PUR/A-1L-Z - 1434992

Cable cross section



PUR halogen-free black [PUR]

© Phoenix Contact 2013 - all rights reserved  
<http://www.phoenixcontact.com>