

# Housing - HC-B 32-TFQ-80/O1PG29S - 1675094

Please be informed that the data shown in this PDF Document is generated from our Online Catalog. Please find the complete data in the user's documentation. Our General Terms of Use for Downloads are valid (<http://download.phoenixcontact.com>)



Sleeve housing, for double locking latch, height 80 mm, without screw connection, 1x Pg29, lateral cable entry

## Key commercial data

<b>package_quantity</b>	10
<b>GTIN</b>	4017918149857

## Technical data

### Dimensions

<b>Height</b>	80 mm
<b>Width</b>	79 mm
<b>Length</b>	94 mm

### Ambient conditions

<b>Degree of protection for housing</b>	IP65
<b>Ambient temperature (operation)</b>	-40 °C ... 125 °C

### General

<b>Note</b>	For contact inserts HC-B32, DD144, M
<b>Design</b>	B32
<b>Housing type</b>	Sleeve housings
<b>Locking type</b>	For double locking latch
<b>No. of cable exits</b>	1
<b>Cable exit</b>	Lateral
<b>Screw connection</b>	None
<b>Type of the screw connection</b>	1x Pg29
<b>Housing material</b>	Aluminum die-cast
<b>Housing surface material</b>	Powder-coated, gray

## classifications

### eCl@ss

<b>eCl@ss 4.0</b>	27140816
<b>eCl@ss 4.1</b>	27140816
<b>eCl@ss 5.0</b>	27143424

# Housing - HC-B 32-TFQ-80/O1PG29S - 1675094

## classifications

### eCl@ss

eCl@ss 5.1	27143424
eCl@ss 6.0	27143424
eCl@ss 7.0	27440209
eCl@ss 8.0	27440209

### ETIM

ETIM 2.0	EC000437
ETIM 3.0	EC000437
ETIM 4.0	EC000437
ETIM 5.0	EC000437

### UNSPSC

UNSPSC 6.01	31261502
UNSPSC 7.0901	31261502
UNSPSC 11	31261502
UNSPSC 12.01	31261502
UNSPSC 13.2	31261502

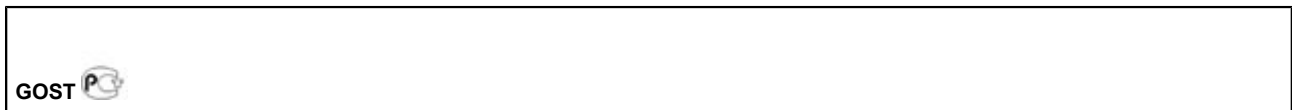
## approvals

---

GOST /

---

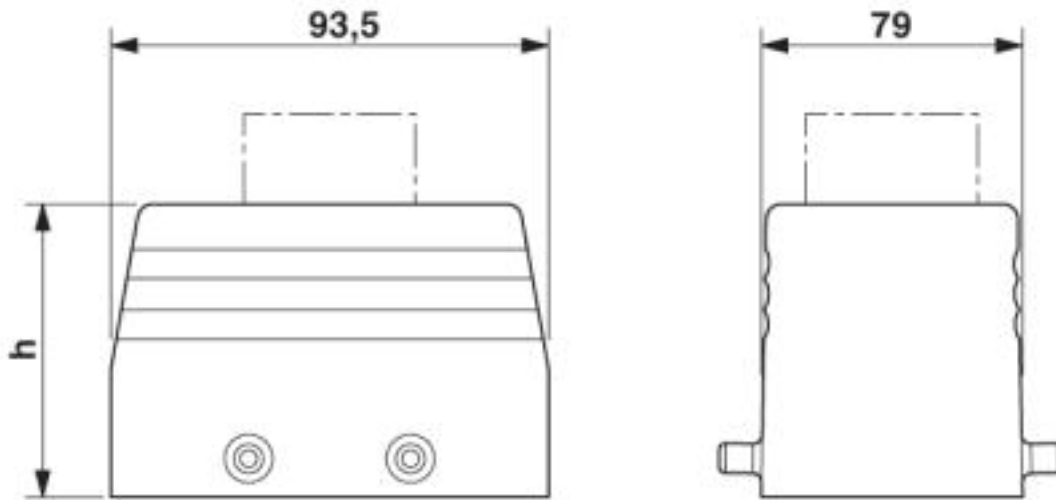
### Approval details



## Drawings

## Housing - HC-B 32-TFQ-80/O1PG29S - 1675094

Dimensioned drawing



© Phoenix Contact 2013 - all rights reserved  
<http://www.phoenixcontact.com>