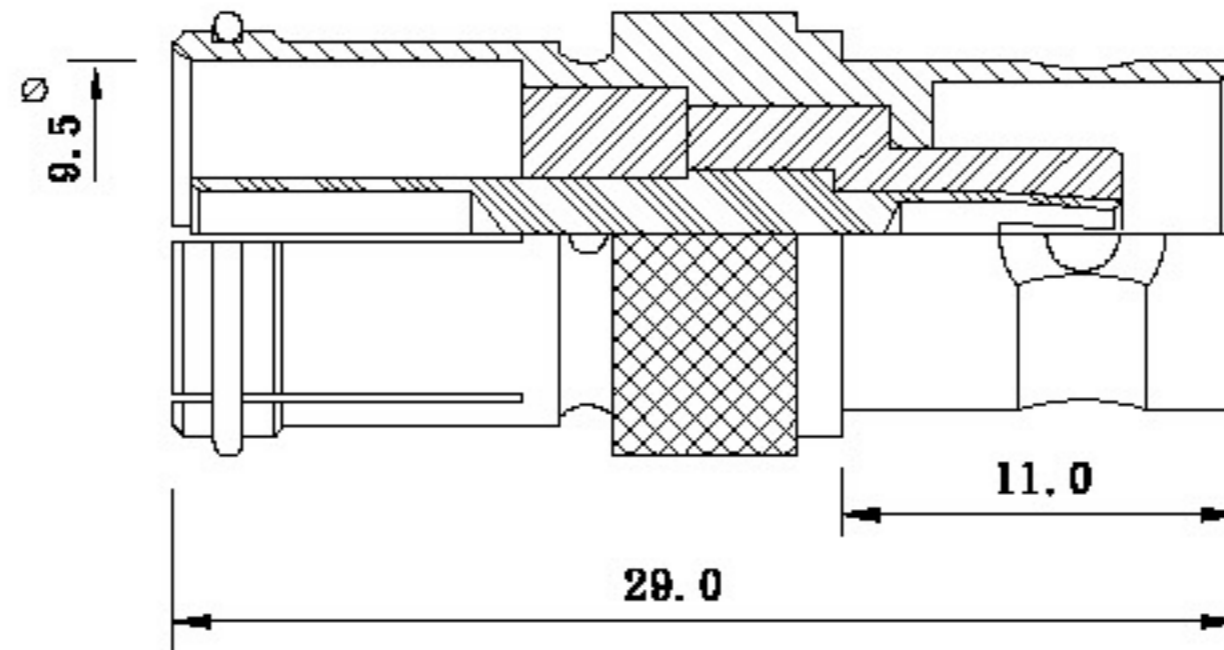


REVISIONS

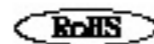
| NO | DESCRIPTION/DATE |
|----|------------------|
| | |
| | |



CUSTOMER OUTLINE DRAWING

Unless Otherwise Specified Tolerances
Dimensions Are In Millimeters
And For Customer Reference Only

0.5-8 \pm 0.2
8-30 \pm 0.4
30-120 \pm 0.8
120-316 \pm 1.0

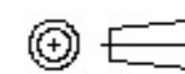


Best No. 730569

Part:
E-018

Title: PAL JACK-BNC JACK D.N.N.

Date:
Jun/11/2009



Scale:
3:1

Unit:
M/M

Rev:
A

Copy Right Reserved

| | | | |
|----|-------------|----------|--------|
| 3 | Insulator | Delrin | White |
| 2 | Contact | Brass | Nickel |
| 1 | Body | Brass | Nickel |
| NO | Description | Material | Finish |