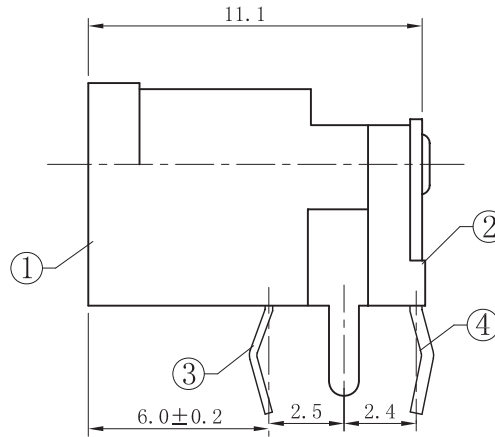
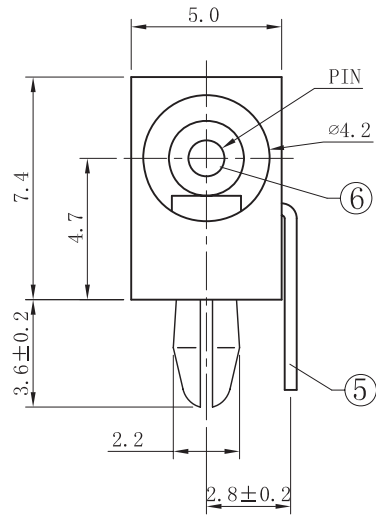
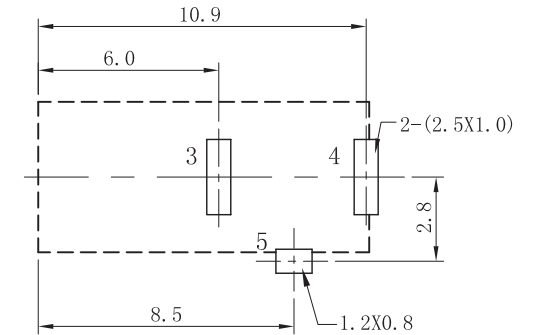


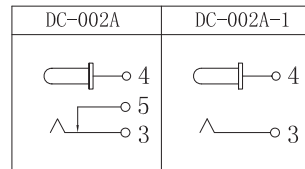
# BN 73 39 89



P. C. B LAYOUT  
TOP VIEW



SCHEMATIC



PIN	ø1.0	ø1.3
APPD.		✓

6	PIN	1	H59 BRASS	Ni-Plating
5	CURVE PIECE	1	H62 BRASS	Ag-Plating
4	FLAT PIECE	1	H62 BRASS	Ag-Plating
3	SPRING PIECE	1	SUS301	Ag-Plating
2	COVER	1	PBT	
1	HOUSING	1	PBT	
NO.	DESCRIPTION	QTY	MATERIAL	PLATING
UNIT: MM		TYPE:		MODEL NO:
		DC JACK		DC-002A
DESIGNER BY:		PAPER NO: A4		PAGE 1 OF 1
CHECK BY:		TOLERANCE		ANGLES
DATE:		± 0.15		± 1.5°
		SCALE		VER
		4:1		1