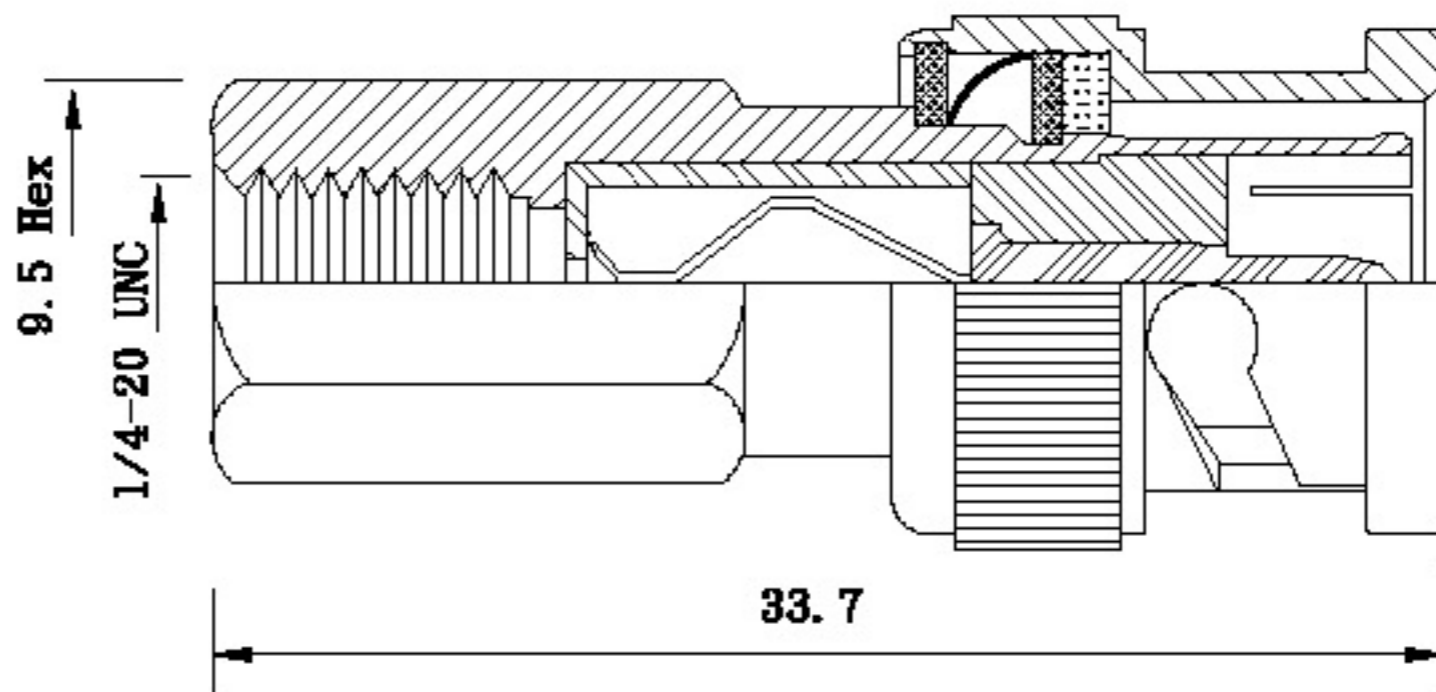


REVISIONS	
NO.	DESCRIPTION/DATE

Electrical	
Impedance	75Ω
Frequency range	0-4GHz
VSWR	≤ 1.2 typ
Test voltage	1500 volts rms
Working voltage	400 V rms
Voltage rating	500 volts peak
Power handling	≤ 80 W (2GHz)
Other (MIL-C-38012 Cable Connectors)	Contact resistance: center contact ≤ 1.5 mΩ outer contact ≤ 1 mΩ Insertion loss: ≤ 0.1x√f(GHz)dB Insulation resistance: ≥ 6000 MΩ
Material	
Mating cycles	≥ 500
Center contact captivation	axial: ≥ 27 N
Environmental	
Temperature range	-65°C+165°C
Thermal shock	US MIL-STD 202, Meth, 107, Cond, B
Vibration	US MIL-STD 202, Meth, 204, Cond, B
Climatic class	IEC 60068 65/166/21
Shock	US MIL-STD 202, Meth, 219, Cond, B
Corrosion resistance	US MIL-STD 202, Meth, 101, Cond, B
Degree of protection (mated pair)	IEC 60529



4	Shell	Brass	Nickel
3	Insulator	Teflon	White
2	Contact	PH/Bronze/Brass	Gold
1	Body	Brass	Nickel
NO	Description	Material	Finish

<p align="center">CUSTOMER OUTLINE DRAWING</p> <p>Unless Otherwise Specified Tolerances Dimensions Are In Millimeters And For Customer Reference Only</p> <p align="center">0.5-6±/-0.2 6-30±/-0.4 30-120±/-0.6 120-315±/-1.0</p> <p align="center">RoHS</p>		Best No. 735191	
		Part: B-008-59-75-TGN	
		Title: BNC PLUG TWIST-ON FOR RG/59U CABLE 75Ω T. G. N.	
Date:	Jun/11/2009	Scale:	3:1
		Unit:	M/M
		Rev:	A
RF/Microwave Connectors Professional Manufacture Copy Right Reserved			