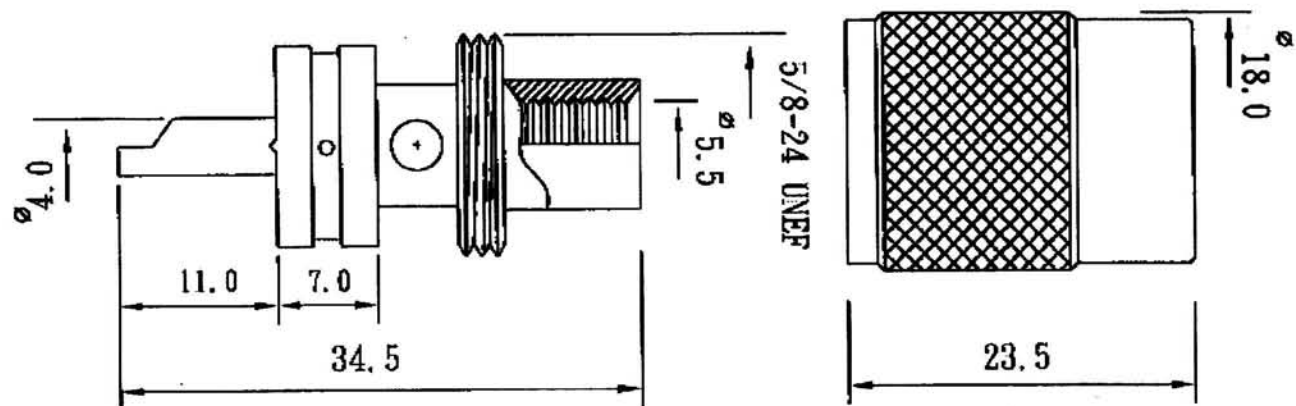
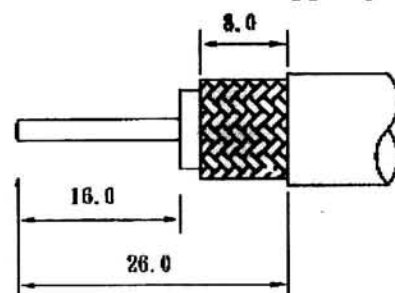


BN 741035



Impedance	Non-constant
Frequency range	0-300 MHz
Voltage rating	500 volts peak
Temperature range	Teflon insulations: -85°C to 165°C Delrin insulations: -55°C to 85°C
Mating	5/8-24 UNEF threaded coupling

Cable Stripping



4	Shell	Brass	Nickel
3	Insulator	Delrin	White
2	Contact	Brass	Nickel
1	Body	Zinc	Nickel
NO	Description	Material	Finish

Dimensions Are In Millimeters

Unless Otherwise Specified

Tolerances

0.5-6	= ±0.2
6-30	= ±0.4
30-120	= ±0.6
120-315	= ±1.0
315-1000	= ±1.6
1000-2000	= ±2.4

Jonda Group

RF/MICROWAVE
Connectors

Part No

U-001-59-Z

圖號

Title

UHF PLUG TWIST-ON(Zinc)

圖名

FOR RG/59U CABLE D.N.N.

Date

Feb/07/2006

比

Scale

例

1.5:1

單位

mm

Unit

mm

版

次

Rev

日期

A