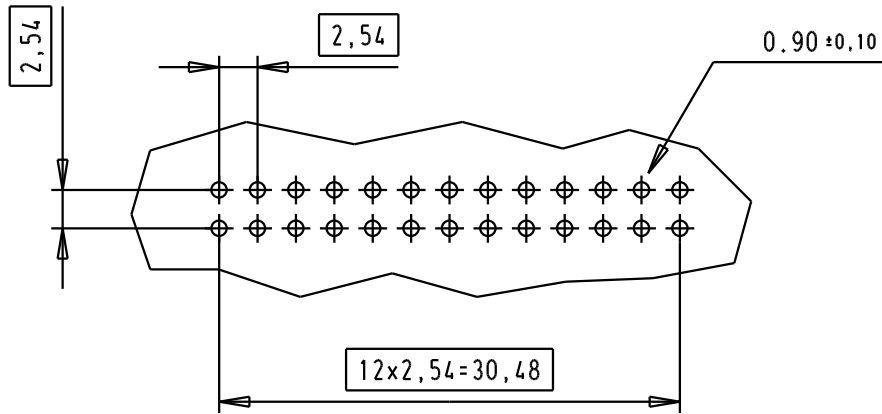
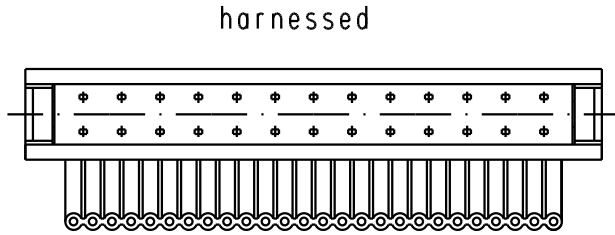
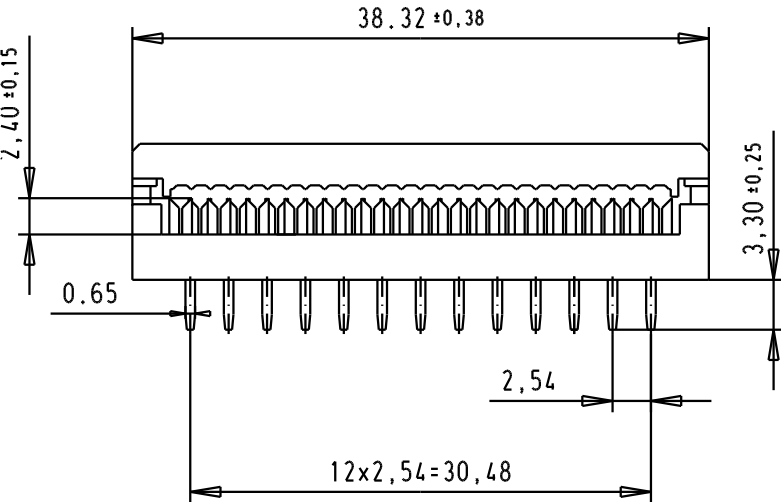


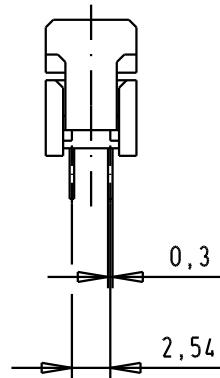
Printed board layout, component side



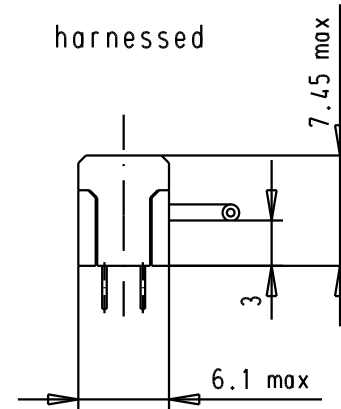
pre assembled



pre assembled



harnessed



				Dot.	Name	<p>All Dim. in mm Orig. Size DIN A 4</p>	SEK 18, P.C.B Transition 26 poles connector 2 rows	Maßstab/ Scale 2:1
			Detail.	3.2.92	BP			
			Insp.					
			Stand.					
32151	01/09/04	TR					TB 09181269621	Blatt/ Page 1 / 1
31575	26-NOV-03	SH						
26573	10-02-00	PP						
	Mod.	Dot.	Name	HARTING EURL F-95972 Paris			Sub.	

1.200	NON-ASSEMBLED
521	PRE-ASSEMBLED
	Cover