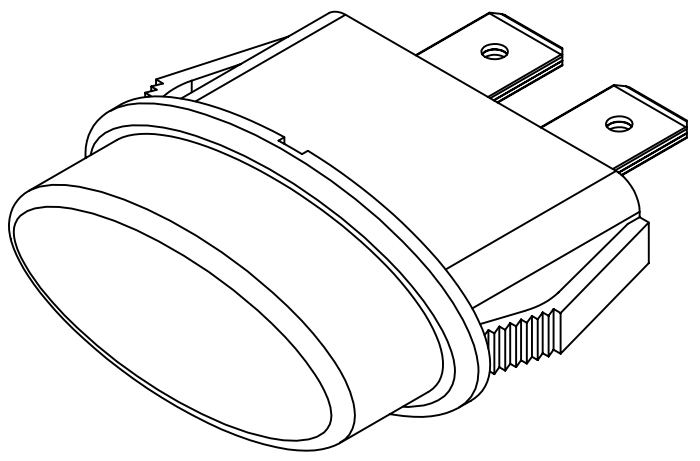
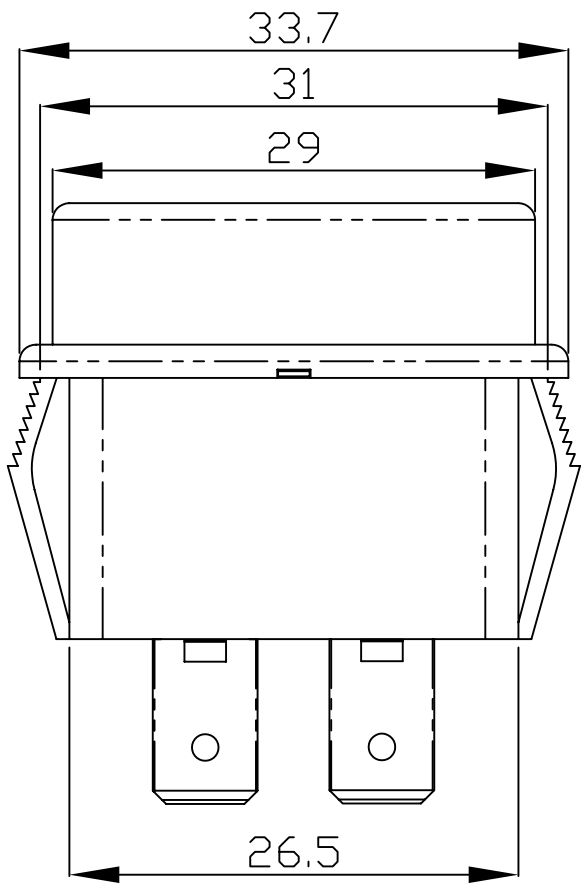
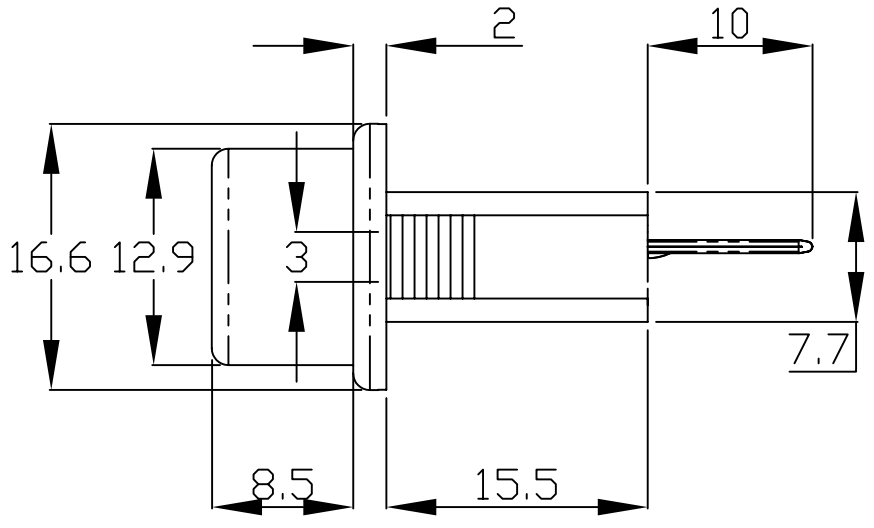
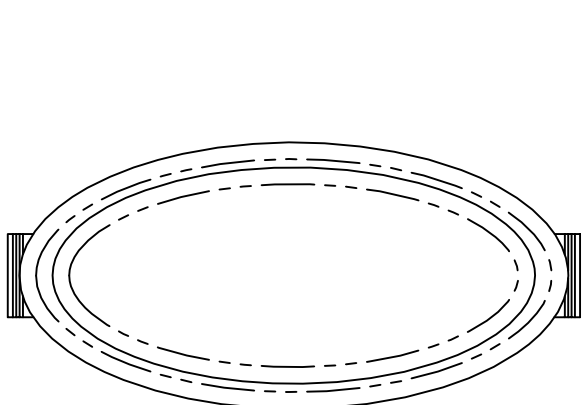


Rating	30A 12/24VDC	<div style="text-align: center;"> <b>Mounting Hole</b> </div>
Contact R		
Insulation R	DC 500V 100M ohm Min.	
Dielectric Strength	AC 1000V 1 minute	
Operation Temperature	-25°~85°	
Fuse Type	BLADE FUSE	



△	Date	Name	Descriptions			
Drawing	Check	Approval	SCI No.		Model Name	FUSE HOLDER
Brandon			Customer No.		Model No.	R3-67
1/16/'07			Unit	mm	SHIN CHIN INDUSTRIAL CO., LTD.	