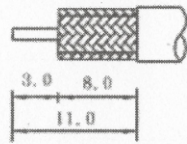
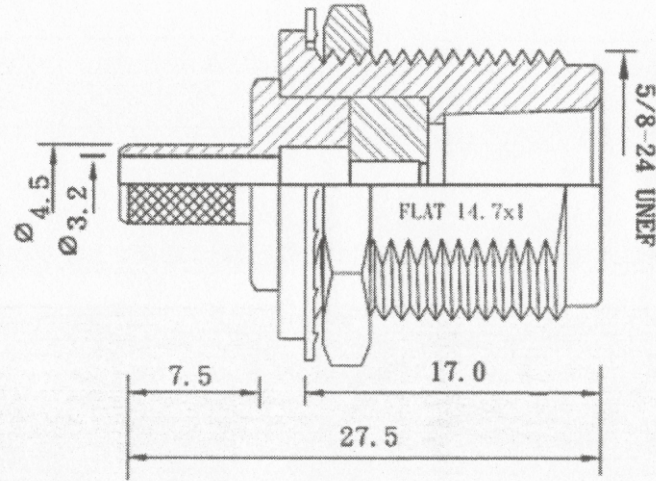
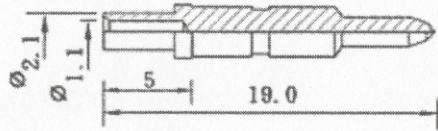


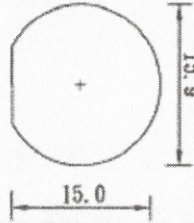
Recommended
Cable Stripping



- 1: Crimped Contact
Hex Crimp Size: .068"
- 2: Crimped Ferrule
Hex Crimp Size: .213"



Mounting Holes



Impedance	50Ω
Frequency range	0-6 GHz
Voltage rating	1500 volts peak
Dielectric withstanding voltage	2500 volts rms
VSWR	M39012 straight connectors: 1.3 max, 0-11GHz M39012 right angle: 1.35 max, 0-11GHz
othr (MIL-C-39012 cable connectors)	Contact resistance: center contact 1.0 milliohm outer contact 0.2 milliohm Insertion loss: 0.15db max at 10.0GHz Insulation resistance: 5000 megohms(min)

NOTE: FINISH (PLATING THICKNESS IN MICRO-INCHES)

1. BRASS PER 315-C3604
2. TEFLON MIL-P-19468
3. CONNECTOR INTERFACE PER MIL-STD-348A
4. PART TO BE CLEAN AND FREE BURRS
5. NICKEL PL 70 μ" THICK OVER COPPER STRIKE
6. GOLD PL 1-2μ" OVER NICKEL PL 70 μ" THICK OVER COPPER STRIKE

7	Washer	Brass	Nickel
6	Nut	Brass	Nickel
5	Ferrule	Brass	Nickel
4	Shell	Brass	Nickel
3	Insulator	Teflon(PTFE)	White
2	Contact	Brass	Gold
1	Body	Brass	Nickel
No	Description	Material	Finish