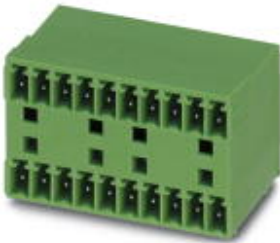


Base strip - MCD 1,5/14-G1-3,81 - 1843198

Please be informed that the data shown in this PDF Document is generated from our Online Catalog. Please find the complete data in the user's documentation. Our General Terms of Use for Downloads are valid (<http://download.phoenixcontact.com>)



Header, Nominal current: 8 A, Rated voltage (III/2): 160 V, Number of positions: 14, Pitch: 3.81 mm, Color: green, Contact surface: Tin, Assembly: Soldering, In combination with MCV plug components, both an MCVW and an MCVR plug must be used.

The figure shows a 10-pos. version with 20 contacts

Product Features

- Without offset levels, for flush installation on the front of devices
- Plug-in direction parallel to the PCB
- Low-profile double-level pin strips with high contact density

Key commercial data

| | |
|------------------|---------------|
| package_quantity | 50 |
| GTIN | 4017918112387 |

Technical data

Dimensions

| | |
|----------------|--------------|
| Length | 21.9 mm |
| Pitch | 3.81 mm |
| Dimension a | 49.53 mm |
| Pin dimensions | 0,8 x 0,8 mm |
| Hole diameter | 1.2 mm |

General

| | |
|---|----------------|
| Range of articles | MCD 1,5/...-G1 |
| Insulating material group | I |
| Rated surge voltage (III/3) | 2.5 kV |
| Rated surge voltage (III/2) | 2.5 kV |
| Rated surge voltage (II/2) | 2.5 kV |
| Rated voltage (III/3) | 160 V |
| Rated voltage (III/2) | 160 V |
| Rated voltage (II/2) | 250 V |
| Connection in acc. with standard | EN-VDE |
| Nominal current I _N | 8 A |
| Maximum load current | 8 A |
| Insulating material | PA |
| Inflammability class according to UL 94 | V0 |

Base strip - MCD 1,5/14-G1-3,81 - 1843198

Technical data

General

| | |
|----------------------------|-------|
| Color | green |
| Number of positions | 14 |

classifications

eCl@ss

| | |
|-------------------|----------|
| eCl@ss 4.0 | 272607xx |
| eCl@ss 4.1 | 27260701 |
| eCl@ss 5.0 | 27260701 |
| eCl@ss 5.1 | 27260701 |
| eCl@ss 6.0 | 27260704 |
| eCl@ss 7.0 | 27440402 |
| eCl@ss 8.0 | 27440402 |

ETIM

| | |
|-----------------|----------|
| ETIM 3.0 | EC001121 |
| ETIM 4.0 | EC002637 |
| ETIM 5.0 | EC002637 |


UNSPSC

| | |
|----------------------|----------|
| UNSPSC 6.01 | 30211810 |
| UNSPSC 7.0901 | 39121409 |
| UNSPSC 11 | 39121409 |
| UNSPSC 12.01 | 39121409 |
| UNSPSC 13.2 | 39121409 |

approvals

CSA / UL Recognized / VDE Gutachten mit Fertigungsüberwachung / GOST / IECCEB CB Scheme / cUL Recognized / GOST / CCA / cULus Recognized /

Approval details

| | | |
|---|----------|----------|
|  | | |
| Usegroups | B | D |
| Nominal voltage UN | 300 V | 300 V |
| Nominal current IN | 8 A | 8 A |
| mm ² /AWG/kcmil | | |

Base strip - MCD 1,5/14-G1-3,81 - 1843198

approvals

UL Recognized

| Usegroups | B | D |
|----------------------------|-------|-------|
| Nominal voltage UN | 300 V | 300 V |
| Nominal current IN | 8 A | 8 A |
| mm ² /AWG/kcmil | | |

VDE Gutachten mit Fertigungsüberwachung

| | |
|----------------------------|-------|
| Nominal voltage UN | 160 V |
| Nominal current IN | 8 A |
| mm ² /AWG/kcmil | |

GOST

IECEE CB Scheme

| | |
|----------------------------|-------|
| Nominal voltage UN | 160 V |
| Nominal current IN | 8 A |
| mm ² /AWG/kcmil | |

cUL Recognized

| Usegroups | B | D |
|----------------------------|-------|-------|
| Nominal voltage UN | 300 V | 300 V |
| Nominal current IN | 8 A | 8 A |
| mm ² /AWG/kcmil | | |

CCA

| | |
|--------------------|-------|
| Nominal voltage UN | 160 V |
|--------------------|-------|

Base strip - MCD 1,5/14-G1-3,81 - 1843198

approvals

| | |
|----------------------------|-----|
| Nominal current IN | 8 A |
| mm ² /AWG/kcmil | |



accessories

Coding element

CP-MSTB - 1734634



Labeled terminal marker

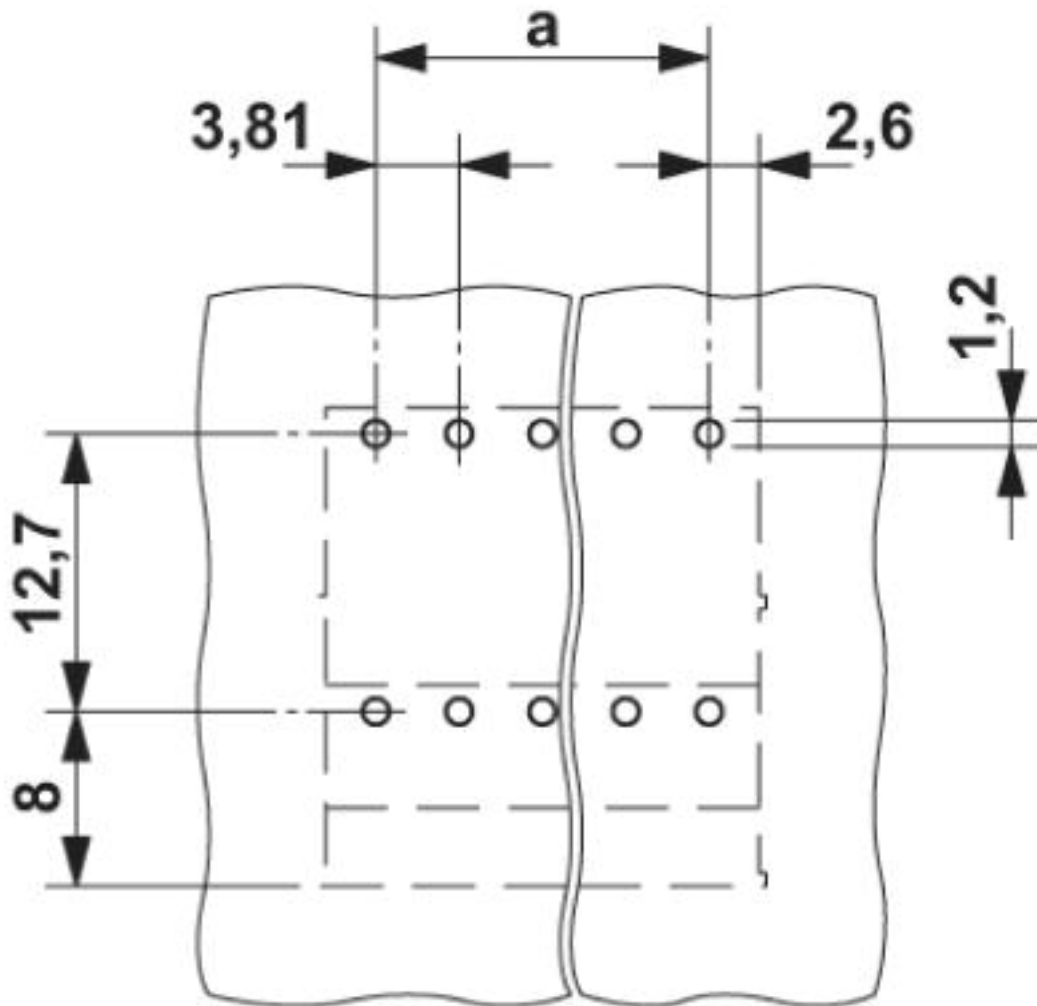
SK 3,81/2,8:FORTL.ZAHLEN - 0804109



Drawings

Base strip - MCD 1,5/14-G1-3,81 - 1843198

Drilling diagram

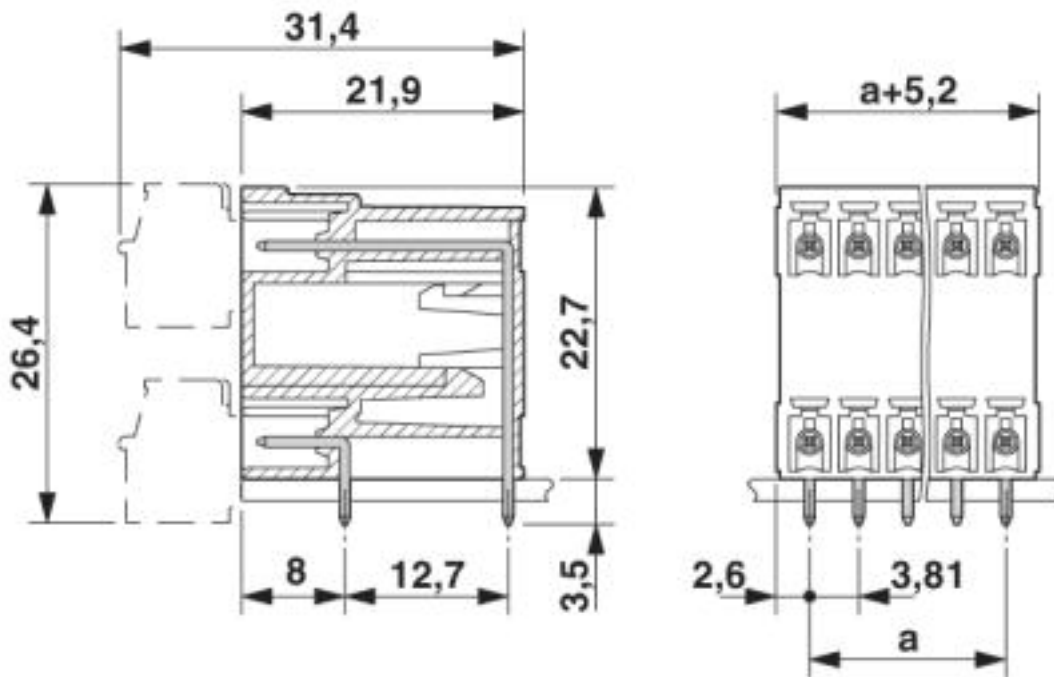


Diagram

Type: MC 1,5/...-ST-3,81 with MCD 1,5/...-G1-3,81

Base strip - MCD 1,5/14-G1-3,81 - 1843198

Dimensioned drawing



© Phoenix Contact 2013 - all rights reserved
<http://www.phoenixcontact.com>