

# Printed-circuit board connector - DMCV 1,5/ 3-G1-3,5 P20THR - 1787218

Please be informed that the data shown in this PDF Document is generated from our Online Catalog. Please find the complete data in the user's documentation. Our General Terms of Use for Downloads are valid (<http://download.phoenixcontact.com>)



Header, Nominal current: 8 A, Rated voltage (III/2): 160 V, Number of positions: 3, Pitch: 3.5 mm, Color: Black, Contact surface: Tin, Assembly: SMD/THT/THR

The figure shows a 10-pos. version with 20 contacts

## Product Features

- Taped headers available on request
- Headers with flange can be combined with plugs with screw flange or with Lock & Release levers
- At 8 mm, the distance from the edge of the PCB to the first row of holes is compatible with MC headers
- Extremely small THR double-level headers for SMT and wave soldering processes

## Key commercial data

<b>package_quantity</b>	50
<b>GTIN</b>	4046356596831

## Technical data

### Dimensions

<b>Length</b>	10.6 mm
<b>Height</b>	12 mm
<b>Pitch</b>	3.5 mm
<b>Dimension a</b>	7 mm
<b>Pin dimensions</b>	0,8 x 0,8 mm
<b>Pin spacing</b>	5.50 mm
<b>Hole diameter</b>	1.4 mm

### General

<b>Range of articles</b>	DMCV 1,5/...G1-THR
<b>Insulating material group</b>	IIIa
<b>Rated surge voltage (III/3)</b>	2.5 kV
<b>Rated surge voltage (III/2)</b>	2.5 kV
<b>Rated surge voltage (II/2)</b>	2.5 kV
<b>Rated voltage (III/3)</b>	32 V
<b>Rated voltage (III/2)</b>	160 V
<b>Rated voltage (II/2)</b>	250 V

# Printed-circuit board connector - DMCV 1,5/ 3-G1-3,5 P20THR - 1787218

## Technical data

### General

Connection in acc. with standard	EN-VDE
Nominal current I <sub>N</sub>	8 A
Maximum load current	8 A
Insulating material	LCP
Inflammability class according to UL 94	V0
Color	Black
Number of positions	3

### classifications

#### eCl@ss

eCl@ss 4.0	272607xx
eCl@ss 4.1	27260701
eCl@ss 5.0	27260701
eCl@ss 5.1	27260701
eCl@ss 6.0	27260704
eCl@ss 7.0	27440402
eCl@ss 8.0	27440402

#### ETIM

ETIM 4.0	EC002637
ETIM 5.0	EC002637


#### UNSPSC

UNSPSC 6.01	30211810
UNSPSC 7.0901	39121409
UNSPSC 11	39121409
UNSPSC 12.01	39121409
UNSPSC 13.2	39121409

### approvals

UL Recognized / cUL Recognized / VDE Gutachten mit Fertigungsüberwachung / IECCEB Scheme / cULus Recognized /

#### Approval details

		
<b>Usegroups</b>	<b>B</b>	<b>C</b>
Nominal voltage UN	150 V	50 V

# Printed-circuit board connector - DMCV 1,5/ 3-G1-3,5 P20THR - 1787218

## approvals

Usegroups	B	C
Nominal current IN	8 A	8 A
mm <sup>2</sup> /AWG/kcmil		

**cUL Recognized**

Usegroups	B	C
Nominal voltage UN	150 V	50 V
Nominal current IN	8 A	8 A
mm <sup>2</sup> /AWG/kcmil		

**VDE Gutachten mit Fertigungsüberwachung**

Nominal voltage UN	160 V
Nominal current IN	8 A
mm <sup>2</sup> /AWG/kcmil	

**IECEE CB Scheme**

Nominal voltage UN	160 V
Nominal current IN	8 A
mm <sup>2</sup> /AWG/kcmil	

**cULus Recognized**

## accessories

### Coding element

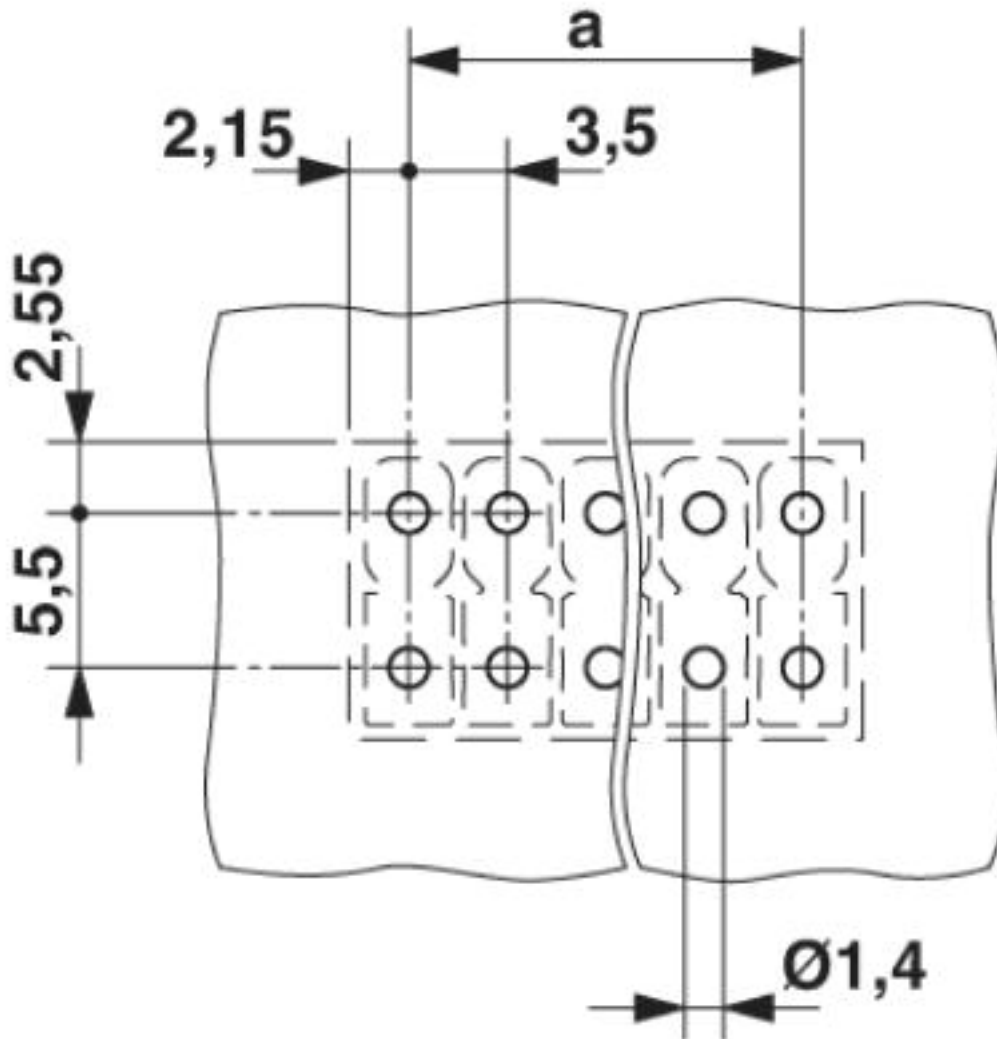
CP-DMC 1,5-THR NAT - 1790647



# Printed-circuit board connector - DMCV 1,5/ 3-G1-3,5 P20THR - 1787218

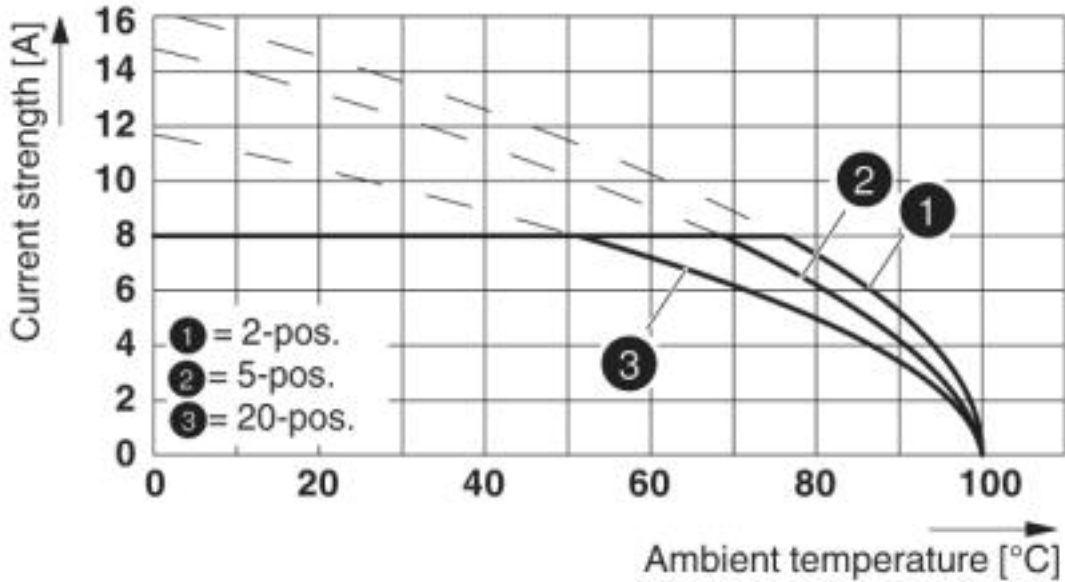
Drawings

Drilling diagram

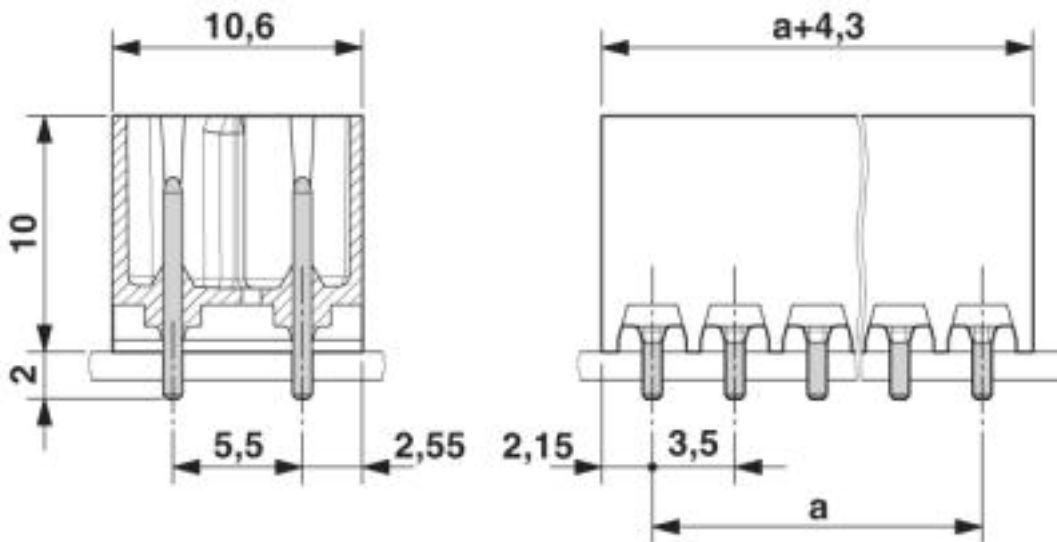


# Printed-circuit board connector - DMCV 1,5/ 3-G1-3,5 P20THR - 1787218

Diagram

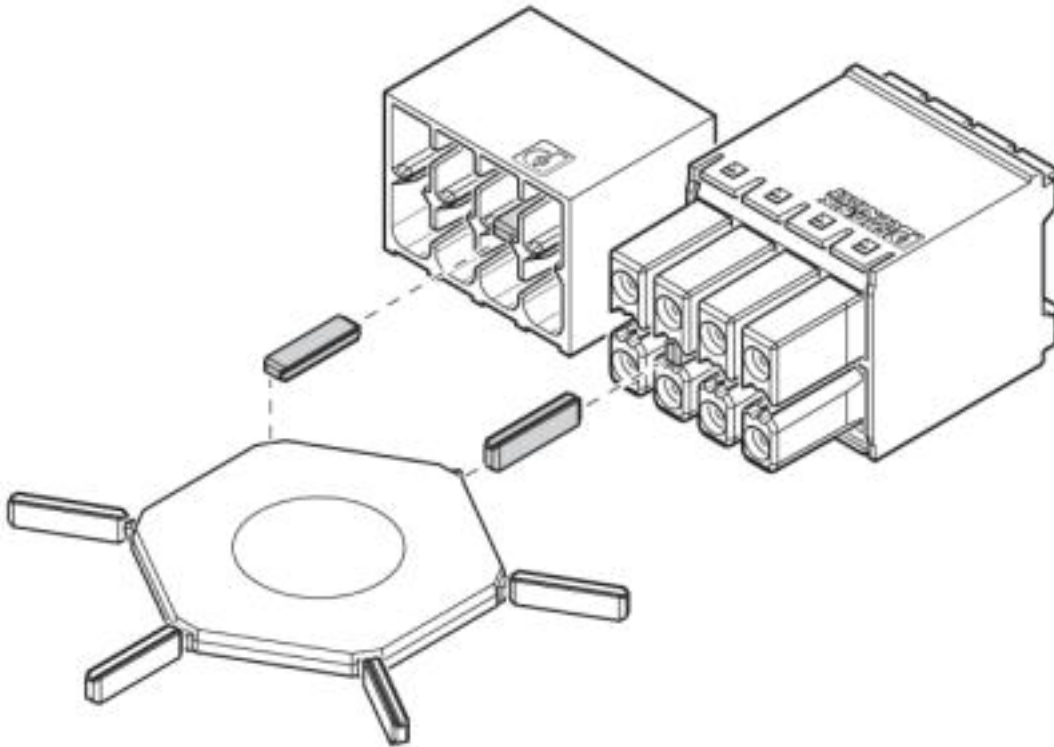


Dimensioned drawing



# Printed-circuit board connector - DMCV 1,5/ 3-G1-3,5 P20THR - 1787218

Schematic diagram



Use of the CP-DMC... coding profile

© Phoenix Contact 2013 - all rights reserved  
<http://www.phoenixcontact.com>