

# Network cable - VS-M12FSEC-OE-93E-LI/2,0 - 1405837

Please be informed that the data shown in this PDF Document is generated from our Online Catalog. Please find the complete data in the user's documentation. Our General Terms of Use for Downloads are valid (<http://download.phoenixcontact.com>)



Assembled Ethernet cable, CAT5e, shielded, 2-pair, AWG 26 stranded (7-wire), RAL 5021 (water blue), M12 flush-type socket, front/screw mounting with M16 thread on free conductor end, line, length 2 m

## Key commercial data

package_quantity	1
GTIN	4046356475969

## Technical data

### Mechanical characteristics

Number of positions	4
Shielded	Yes
Insertion/withdrawal cycles	≥ 100
Cable diameter	6.70 mm
Cable exit	Straight
Cable structure	2x2xAWG26/7; SF/UTP
Length of cable	2 m

### Ambient conditions

Ambient temperature (operation)	-25 °C ... 60 °C (cable, fixed installation)
Ambient temperature (operation)	-5 °C ... 60 °C (cable, flexible installation)
Ambient temperature (operation)	-25 °C ... 90 °C
Degree of protection	IP65/67

### Material data

Inflammability class according to UL 94	V0
Contact carrier material	PA 66
Contact material	CuZn
Contact surface material	Ni/Au
Outer sheath, material	PUR
External sheath, color	water blue RAL 5021

### Electrical characteristics

Insulation resistance	≥ 100 MΩ
Transmission characteristics (category)	CAT5 (IEC 11801:2002), CAT5e (TIA 568B:2001)

### Line characteristics

# Network cable - VS-M12FSEC-OE-93E-LI/2,0 - 1405837

## Technical data

### Line characteristics

<b>Cable type</b>	PUR ETHERNET 2x2 FLEX
<b>UL AWM style</b>	20963 (80°C/30 V)
<b>Cable structure</b>	2x2xAWG26/7; SF/UTP
<b>Conductor cross section</b>	2x 2x 0.14 mm <sup>2</sup>
<b>AWG signal line</b>	26
<b>Conductor structure signal line</b>	7x 0.16 mm
<b>Core diameter including insulation</b>	0.98 mm
<b>External cable diameter</b>	6.4 mm ± 0.2 mm
<b>Wire colors</b>	white/orange-orange, white/green-green
<b>External sheath, color</b>	water blue RAL 5021
<b>Transmission medium</b>	Copper
<b>Insulation resistance</b>	≥ 500 MΩ*km (at 20 °C)
<b>Conductor resistance</b>	≤ 290 Ω/km (at 20 °C)
<b>Transmission characteristics (category)</b>	CAT5 (IEC 11801:2002), CAT5e (TIA 568B:2001)
<b>Working capacitance</b>	45 nF (At 1 kHz)
<b>Wave impedance</b>	100 Ω ± 5 Ω (At 100 MHz)
<b>Signal runtime</b>	5.3 ns/m
<b>Nominal voltage, cable</b>	≤ 100 V
<b>Nominal voltage, cable</b>	300 V (Outer cable sheath)
<b>Test voltage Core/Core</b>	700 V (50 Hz, 1 min.)
<b>Test voltage Core/Shield</b>	700 V (50 Hz, 1 min.)
<b>Twisted pairs</b>	2 cores to the pair
<b>Overall twist</b>	Two pairs with two fillers to the core
<b>Shielding</b>	Aluminum-coated foil, tinned copper braided shield
<b>Optical shield covering</b>	70 %
<b>Outer sheath, material</b>	PUR
<b>Material conductor insulation</b>	Foamed PE
<b>Conductor material</b>	Bare Cu litz wires
<b>Cable weight</b>	42 kg/km
<b>Minimum bending radius, fixed installation</b>	4 x D
<b>Minimum bending radius, flexible installation</b>	8 x D
<b>Tensile strength short-term/long-term</b>	≤ 80N
<b>Flame resistance</b>	IEC 60332-1-2
<b>Halogen-free</b>	According to IEC 60754-1
<b>Resistance to oil</b>	in accordance with DIN EN 60811-2-1
<b>Ambient temperature (operation)</b>	-40 °C ... 80 °C (cable, fixed installation)
<b>Ambient temperature (operation)</b>	-20 °C ... 80 °C (cable, flexible installation)

## classifications

eCl@ss

## Network cable - VS-M12FSEC-OE-93E-LI/2,0 - 1405837

### classifications

#### eCl@ss

eCl@ss 4.0	272607xx
eCl@ss 4.1	27260701
eCl@ss 5.0	27260701
eCl@ss 5.1	27060307
eCl@ss 6.0	27061801
eCl@ss 7.0	27061801
eCl@ss 8.0	27061801

#### ETIM

ETIM 3.0	EC001262
ETIM 4.0	EC001262
ETIM 5.0	EC000830

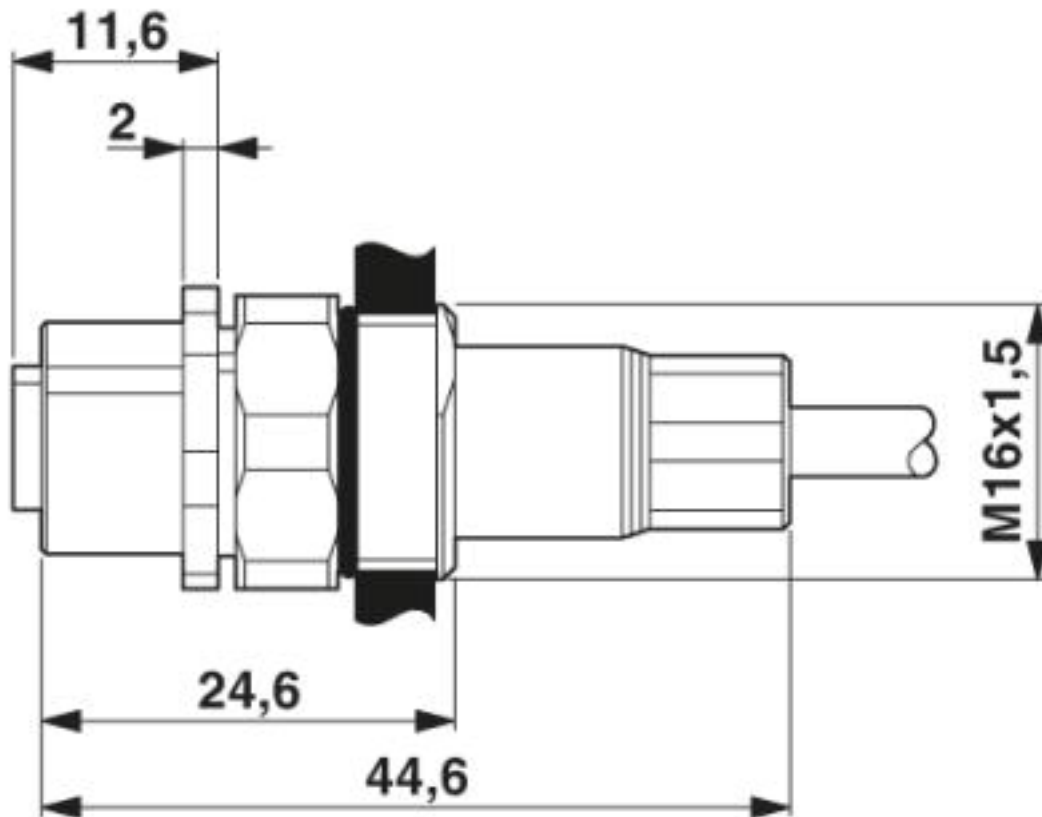
#### UNSPSC

UNSPSC 6.01	26121616
UNSPSC 7.0901	26121616
UNSPSC 11	26121604
UNSPSC 12.01	31261501
UNSPSC 13.2	26121616

### Drawings

# Network cable - VS-M12FSEC-OE-93E-LI/2,0 - 1405837

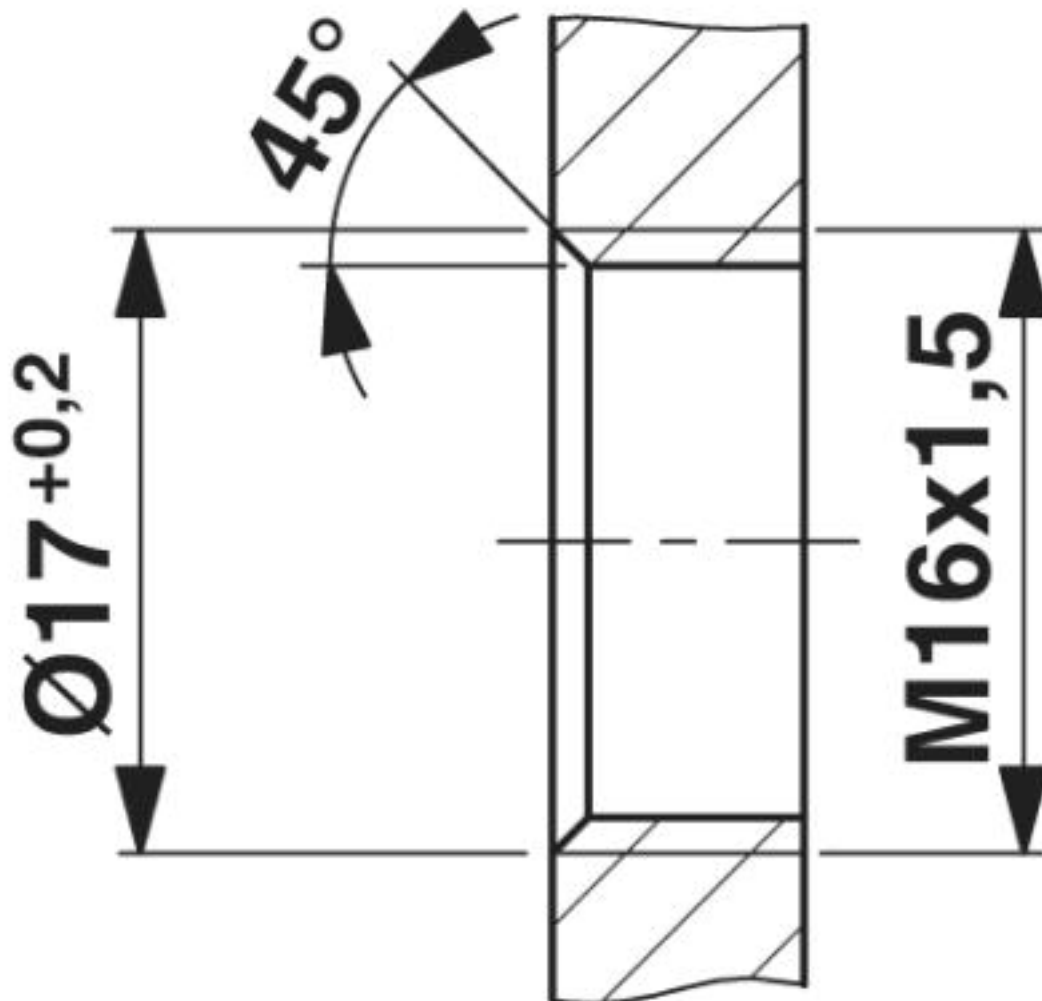
Dimensioned drawing



M12 flush-type connector

# Network cable - VS-M12FSEC-OE-93E-LI/2,0 - 1405837

Dimensioned drawing



Housing cutout for M16 fastening thread, mounting panel with thread

© Phoenix Contact 2013 - all rights reserved  
<http://www.phoenixcontact.com>