

Data interface - SI-SES-U1A/1 - 1404515

Please be informed that the data shown in this PDF Document is generated from our Online Catalog. Please find the complete data in the user's documentation. Our General Terms of Use for Downloads are valid (<http://download.phoenixcontact.com>)



Service socket with USB (socket/plug), type A with 1.0 m cable

USB service socket, 1.0 m

Key commercial data

package_quantity	1
GTIN	4046356698559

Technical data

Mechanical characteristics

Connection profile	USB
Shielded	Yes
Length of cable	1 m

Ambient conditions

Ambient temperature (operation)	-10 °C ... 60 °C
Ambient temperature (storage/transport)	-25 °C ... 80 °C
Degree of protection	IP65

Material data

Inflammability class according to UL 94	V0
Housing material	PA

Electrical characteristics

Nominal voltage U_N	30 V AC/DC
Nominal current I_N	≤ 500 mA
Transmission characteristics (category)	CAT7, for USB 2.0 (480 Mbps)
Pollution degree	3

classifications

eCl@ss

eCl@ss 4.0	27140816
eCl@ss 4.1	27140816
eCl@ss 5.0	27189239
eCl@ss 5.1	27144001

Data interface - SI-SES-U1A/1 - 1404515

classifications

eCl@ss

eCl@ss 6.0	27144001
eCl@ss 7.0	27144001
eCl@ss 8.0	27144001

ETIM

ETIM 3.0	EC000007
ETIM 4.0	EC001855
ETIM 5.0	EC000456

UNSPSC

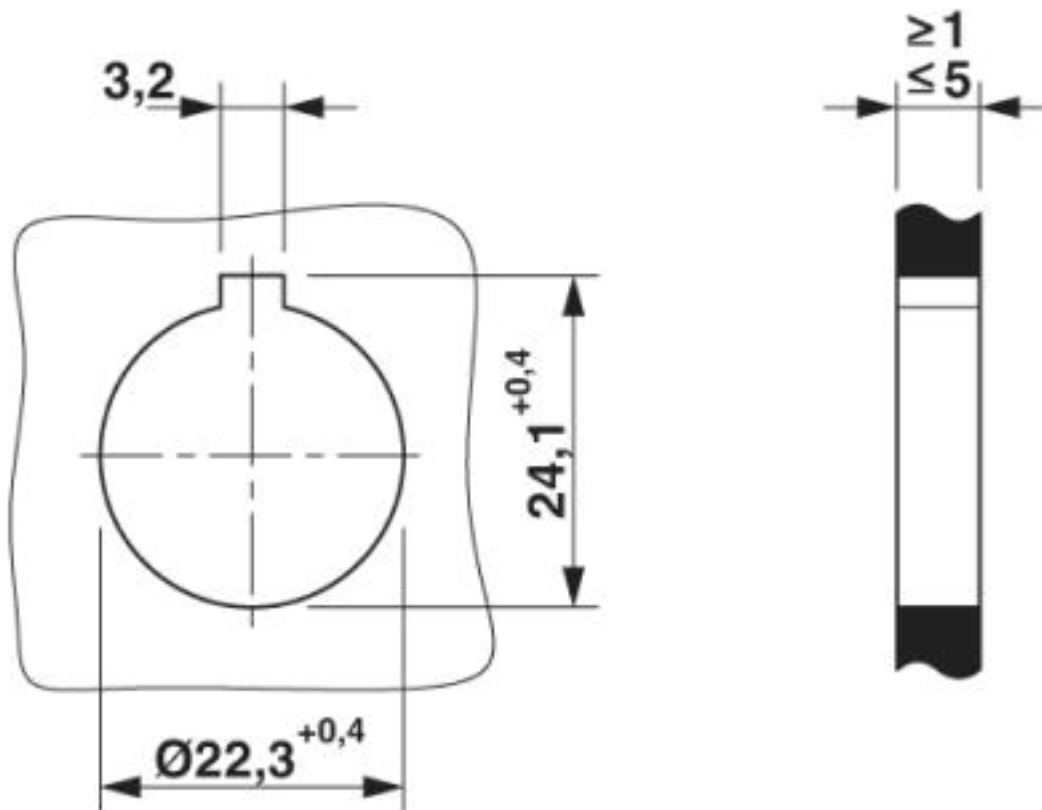
UNSPSC 6.01	31261501
UNSPSC 7.0901	31261501
UNSPSC 11	31261501
UNSPSC 12.01	31261501
UNSPSC 13.2	31261501

Drawings

Dimensioned drawing

Data interface - SI-SES-U1A/1 - 1404515

Dimensioned drawing



© Phoenix Contact 2013 - all rights reserved
<http://www.phoenixcontact.com>