



### Innovative LED – technology with a powerful light performance

#### Lighting technology:

The Power Beam 1000 is an LED worklight that sets new standards with its powerful light output. The light can be operated with 12 or 24 Volts. The integrated electronics protects the device against inverse polarity and guarantees constant brightness even with a fluctuating operating voltage of 9 to 33 Volts. Thanks to its powerful light output, the Power Beam 1000 can replace standard halogen worklights (e.g. H3/55 W) – but only has a power consumption of only 18 W. This makes the Power Beam 1000 ideal for use on battery-operated vehicles or on vehicles where the alternator is already under a great load. The light from the 6 high-power LEDs is distributed by a specially developed multi-facet reflector at close range. At 6500 Kelvin, the light of the LED worklight is very similar to daylight. This means that colours can be distinguished more clearly in the dark than in the yellowish light of halogen bulbs. This makes perception through the human eye significantly easier, thus preventing the eyes tiring quickly.

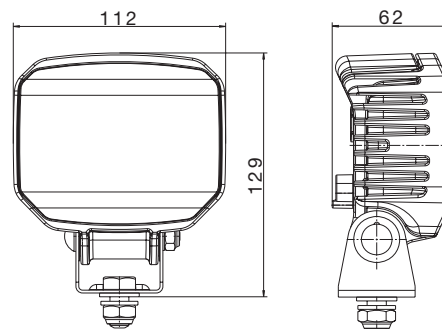
#### Housing:

The worklight's black housing is made of aluminium with integrated cooling fins. These ensure sufficient heat dissipation from the 6 high-power LEDs. In addition, a sensor

protects the worklight from overheating. This enables the long service life of the LEDs (up to 130 times longer than a halogen bulb) to be fully realised. The blue plastic part on the back can be used as a handle to tilt the worklight into the correct position.

The integrated electronics are protected against inverse polarity and equipped with an LED fault jumper. This ensures the worklight continues to function even in the unlikely event of an LED failure. Its compact design, and the fact that it is waterproof, make it an extremely versatile worklight. Power connection is by means of a 2-pole Deutsch plug. Pressure compensation is through a pressure compensation valve. Once installed, the Power Beam 1000 is absolutely maintenance-free.

#### Product picture and technical drawing



#### Technical data Power Beam 1000

Rated voltage ( $U_N$ ):	12/24 V
Recommended inclination angle:	10° – 12°
Light source:	6 powerful LEDs
Watt:	18 W
Protective rating:	IP 6K9K and IP X7
Light output:	850 lm

#### Part numbers:

1GA 996 188-001

1GA 996 188-021



Ideas today for  
the cars of tomorrow

# Product Overview



Part Number 1GA 996 188 ...	-001	-021
Close-range illumination	■	■
Lens	■	
Plastic lens		■
Multivoltage	9–33 V	9–33 V
LED light-source	■	■
Upright mounting	■	■
Pendant mounting	■	■
IP6K9K / High-pressure-jet resistant	■	■
IP6K7 / Waterproof	■	■
Lumen	850 lm	850 lm
Integrated electronics	■	■
Plug DEUTSCH	■	■
Polarity reversal protection	■	■
Overheating protection	■	■
Fault jumper	■	■

